

**CATALOGO
RICAMBI**

BIAI

Caldaie gamma LUNA 2000

LUNA 2000

| Pos. | Descrizione | Codice ricambio | <div style="display: flex; justify-content: space-between;"> <div style="writing-mode: vertical-rl; transform: rotate(180deg); font-size: 8px;">CSB43124X660-1-2 - LUNA 1_240 I</div> <div style="writing-mode: vertical-rl; transform: rotate(180deg); font-size: 8px;">CSB43224X660-1 - LUNA AIR 240 I</div> <div style="writing-mode: vertical-rl; transform: rotate(180deg); font-size: 8px;">CSB43224X660-1-2 LUNA 240 I</div> <div style="writing-mode: vertical-rl; transform: rotate(180deg); font-size: 8px;">CSB43228X660-1-2 LUNA 240 I</div> <div style="writing-mode: vertical-rl; transform: rotate(180deg); font-size: 8px;">CSB43524X660-1 - LUNA 280 I</div> <div style="writing-mode: vertical-rl; transform: rotate(180deg); font-size: 8px;">CSB435313620-1-2-3-4 LUNA 1_240 FI</div> <div style="writing-mode: vertical-rl; transform: rotate(180deg); font-size: 8px;">CSB43531X660-1-2-3-4 LUNA 1_310 FI MN</div> <div style="writing-mode: vertical-rl; transform: rotate(180deg); font-size: 8px;">CSB43824X660-1-2 - LUNA AIR 240 FI</div> <div style="writing-mode: vertical-rl; transform: rotate(180deg); font-size: 8px;">CSB43824X960-1-2-3-LUNA 240 FI</div> <div style="writing-mode: vertical-rl; transform: rotate(180deg); font-size: 8px;">CSB43831X660-1-2-3-LUNA SUPER 240 FI</div> </div> | | | | | | | | | | | 1 | 2 | 3 | 4 | 5 | 6 | 7 | 8 | 9 | 10 | 11 | Matr. iniz. | Matr. fin. | Int. | Note |
|------|--------------------------------|-----------------|---|---------------------------|---------|---|---|---|---|---|---|---|--|------|------|--------|---|---|---|---|---|---|----|----|-------------|------------|------|------|
| | | | 1 | MONTANTE VERNICIATO H=763 | 5653140 | | | | | | | | | | | | | | | | | | | | | | | |
| 1 | MONTANTE VERNICIATO H=803 | 5653150 | • | • | • | • | | | | | | | | | | | | | | | | | | | | | | |
| 2 | FIANCO H=803 | 5112030 | • | • | • | • | | | | | | | | B709 | | S | | | | | | | | | | | | |
| 2 | FIANCO H=803 (T5XI) | 5116990 | • | • | • | • | | | | | | | | B710 | | | | | | | | | | | | | | |
| 2 | ASS.FIANCO SX H=763 | 5653630 | | | | | • | • | • | • | • | • | | | B709 | S | | | | | | | | | | | | |
| 2 | ASSIEME FIANCO SX LUNA 3 | 5681390 | | | | | • | • | • | • | • | • | | | B710 | | | | | | | | | | | | | |
| 3 | ASS.FIANCO DX H=763 | 5653620 | | | | | • | • | • | • | • | • | | | | B709 S | | | | | | | | | | | | |
| 3 | ASSIEME FIANCO DX LUNA 3 | 5681380 | | | | | • | • | • | • | • | • | | | B710 | | | | | | | | | | | | | |
| 4 | ASS.PANNEL.FRONT.ATM-S/MARCHIO | 5655330 | • | • | • | • | | | | | | | | | B709 | S | | | | | | | | | | | | |
| 4 | PANNELLO FRONTALE H=672 | 5112120 | | | | | • | • | • | • | • | • | | | B709 | S | | | | | | | | | | | | |
| 4 | ASS.PANN.FRONT.ATM (T5XI) | 5689150 | • | • | • | • | | | | | | | | | B710 | | | | | | | | | | | | | |
| 4 | PANNELLO FRONTALE H-672 TX5I | 5116680 | | | | | • | • | • | • | • | • | | | B710 | | | | | | | | | | | | | |
| 5 | TRAVERSA COLLEG. MONTANTI | 5110290 | • | • | • | • | • | • | • | • | • | • | | | | | | | | | | | | | | | | |
| 6 | SUPPORTO VASO ESPANSIONE | 5109640 | • | • | • | • | • | • | • | • | • | • | | | | | | | | | | | | | | | | |
| 7 | TRAVERSA COLLEGAMENTO FIANCHI | 5112020 | • | • | • | • | | | | | | | | | | | | | | | | | | | | | | |
| 8 | TUBO PRESSOSTATO 4,5 X 8 L=270 | 5408080 | | | | | • | • | • | • | • | • | | | | | | | | | | | | | | | | |
| 9 | RIDUZIONE ASPIRAZIONE D.80 | 5108700 | | | | | • | • | • | • | • | • | | | | | | | | | | | | | | | | |
| 10 | RACCORDO FLANG. SCAR. FUMI | 5207060 | | | | | • | • | • | • | • | • | | | | | | | | | | | | | | | | |
| 11 | GUARNIZIONE RACCORDO FLANG. | 5407890 | | | | | • | • | • | • | • | • | | | | | | | | | | | | | | | | |
| 12 | TAPPO ASPIRAZIONE | 5108690 | | | | | • | • | • | • | • | • | | | | | | | | | | | | | | | | |
| 13 | GUARNIZIONE TAPPO ASPIRAZIONE | 5407400 | | | | | • | • | • | • | • | • | | | | | | | | | | | | | | | | |
| 15 | ASS.GIUNTO COLLEG.CURVA D60X22 | 600530 | | | | | • | • | • | • | • | • | | | | | | | | | | | | | | | | |
| 17 | CURVA CONVOGLIATORE | 5211090 | | | | | • | • | • | • | • | • | | | | | | | | | | | | | | | | |
| 18 | VENTURI D.15 DOPPIA PRESA | 5407050 | | | | | • | • | • | • | • | • | | | | | | | | | | | | | | | | |
| 21 | GUARNIZIONE 6,1X11,5X1,5 WRC | 5402050 | • | • | • | • | • | • | • | • | • | • | | | | | | | | | | | | | | | | |
| 22 | VENTILATORE 1V MVL RLG108 | 5653850 | | | | | • | | • | • | • | | | | | | | | | | | | | | | | | |
| 22 | VENTILATORE 1V MVL RLG108 75W | 5655730 | | | | | | • | • | | | • | | | | | | | | | | | | | | | | |
| 23 | PRESSOSTATO DIFFERENZIALE FUMI | 5655120 | | | | | • | • | • | • | • | • | | | | S | | | | | | | | | | | | |
| 23 | PRESSOST.DIFFERENZ. C6065F1100 | 5629560 | | | | | • | • | • | • | • | • | | | B440 | S | | | | | | | | | | | | |
| 23 | PRESSOST.FUMI HON.C6065A1010-2 | 5617550 | | | | | | | | | | • | | | | | | | | | | | | | | | | |
| 23 | ASS.PRESSOSTATO 1,2MBAR-VITI | 618470 | | | | | • | • | • | • | • | • | | | B441 | | | | | | | | | | | | | |
| 24 | TUBO PRESA COMPENSAZ. L=130 | 5407930 | | | | | • | • | • | • | • | • | | | | | | | | | | | | | | | | |
| 25 | ASS.CONVOGLIATORE FUMI 135° | 5653170 | | | | | • | | • | • | • | | | | | | | | | | | | | | | | | |
| 25 | ASS.CONVOGLIATORE FUMI 135° | 5653180 | | | | | • | • | | | | • | | | | | | | | | | | | | | | | |
| 27 | ASS. CAMERA COMBUSTIONE ATM | 5653760 | • | • | • | | | | | | | | | | | | | | | | | | | | | | | |
| 27 | ASS. CAMERA COMBUSTIONE STAGNA | 5653780 | | | | | • | | • | • | • | | | | B605 | S | | | | | | | | | | | | |
| 27 | ASS.CAMERA COMBUSTIONE STAGNA | 5655480 | | | | | • | • | | | | • | | | B605 | S | | | | | | | | | | | | |
| 27 | CAMERA COMB.28ATM-TRAV | 5655510 | | | | • | | | | | | | | | | | | | | | | | | | | | | |
| 27 | ASS.C.ST.C/PR.PR+TUB 24Kw | 618840 | | | | | • | | • | • | • | | | | B606 | | | | | | | | | | | | | |
| 27 | ASS.C.ST.C/PR.PR+TUB 31KW | 618830 | | | | | • | • | | | | • | | | B606 | | | | | | | | | | | | | |
| 28 | PANNELLO ISOLANTE LATERALE | 5210250 | • | • | • | • | • | | | • | • | • | | | | S | | | | | | | | | | | | |
| 28 | PANNELLO ISOLANTE LATERALE | 5210910 | | | | | • | • | | | | • | | | | S | | | | | | | | | | | | |
| 28 | PANN.ISOL.LATERALE 24kW | 5213160 | • | • | • | • | • | | | • | • | • | | | | | | | | | | | | | | | | |
| 28 | PANN.ISOL.LATERALE 31kW | 5213190 | | | | | • | • | | | | • | | | | | | | | | | | | | | | | |
| 29 | PANNELLO ISOLANTE POSTER. 24 | 5210280 | | | | • | | | | | | | | | | S | | | | | | | | | | | | |
| 29 | PANNELLO ISOLANTE POSTERIORE | 5210260 | • | • | • | | • | • | • | • | • | • | | | | S | | | | | | | | | | | | |
| 29 | PANN.ISOL.POSTERIORE 28kW | 5213240 | | | | • | | | | | | | | | | | | | | | | | | | | | | |
| 29 | PANN.ISOL.POSTERIORE 31kW | 5213290 | • | • | • | | • | • | • | • | • | • | | | | | | | | | | | | | | | | |
| 30 | PANNELLO ISOLANTE FRONTALE | 5210270 | • | • | • | | | | | | | | | | | S | | | | | | | | | | | | |
| 30 | PANNELLO ISOLANTE FRONTALE | 5210750 | | | | | • | • | • | • | • | • | | | | S | | | | | | | | | | | | |
| 30 | PANN.ISOL.FRONTALE 24 ATM | 5213310 | • | • | • | | | | | | | | | | | | | | | | | | | | | | | |
| 30 | PANNELLO ISOL.FRONTALE 31 | 5213340 | | | | | • | • | • | • | • | • | | | | | | | | | | | | | | | | |
| 30 | PANNELLO ISOLANTE FRONTALE 24 | 5210290 | | | | • | | | | | | | | | | S | | | | | | | | | | | | |
| 30 | PANN.ISOL.FRONTALE 28I | 5213320 | | | | • | | | | | | | | | | | | | | | | | | | | | | |
| 31 | PARETE CAMERA COMBUSTIONE | 5111840 | | | | | • | | • | • | • | | | | | | | | | | | | | | | | | |
| 31 | PARETE CAMERA COMBUSTIONE | 5111850 | | | | | | • | • | | | • | | | | | | | | | | | | | | | | |

LUNA 2000

| Pos. | Descrizione | Codice ricambio | <div style="display: flex; justify-content: space-between;"> <div style="writing-mode: vertical-rl; transform: rotate(180deg);">CSB43124X660-1-2 - LUNA 1 240 I</div> <div style="writing-mode: vertical-rl; transform: rotate(180deg);">CSB43224X660-1 - LUNA AIR 240 I</div> <div style="writing-mode: vertical-rl; transform: rotate(180deg);">CSB43224X660-1-2 LUNA 240 I</div> <div style="writing-mode: vertical-rl; transform: rotate(180deg);">CSB43228X660-1-2 LUNA 240 I</div> <div style="writing-mode: vertical-rl; transform: rotate(180deg);">CSB43324X660-1-2-3-4 LUNA 280 I</div> <div style="writing-mode: vertical-rl; transform: rotate(180deg);">CSB433313820-1-2-3-4 LUNA 1 240 FI</div> <div style="writing-mode: vertical-rl; transform: rotate(180deg);">CSB43531X660-1-2-3-4 LUNA 1 310 FI MM</div> <div style="writing-mode: vertical-rl; transform: rotate(180deg);">CSB43624X660-1-2-3-4 LUNA 1 310 FI</div> <div style="writing-mode: vertical-rl; transform: rotate(180deg);">CSB43624X660-1-2-3-4 LUNA AIR 240 FI</div> <div style="writing-mode: vertical-rl; transform: rotate(180deg);">CSB43631X660-1-2-3-4 LUNA SUPER 240 FI</div> </div> | | | | | | | | | | | 1 | 2 | 3 | 4 | 5 | 6 | 7 | 8 | 9 | 10 | 11 | Matr. iniz. | Matr. fin. | Int. | Note |
|------|---------------------------------|-----------------|---|-------------------------------|---------|---|---|---|---|---|---|---|---|---|------|---|---|---|---|---|---|---|----|----|-------------|------------|------|------|
| | | | 31 | PARETE FRONT. CAMERA COMBUST. | 5108030 | • | • | • | | | | | | | | | | | | | | | | | | | | |
| 31 | PARETE FRONT. CAMERA COMBUST. | 5108500 | | | | • | | | | | | | | | | | | | | | | | | | | | | |
| 32 | ASS. SCAMB. ACQUA GAS 24+CLIP | 5636760 | | | | • | | | | | | | | | | | | | | | | | | | | | | |
| 32 | ASS. SCAMB. H2O-GAS/CLIPS GIAN. | 603280 | • | • | • | | • | | • | • | • | | | | | S | | | | | | | | | | | | |
| 32 | ASS. SCAMB. H2O-GAS/CLIPS C&M | 5632470 | • | • | • | | • | | • | • | • | | | | | | | | | | | | | | | | | |
| 32 | ASS. SCAMB. ACQUA/GAS 310+CLIP | 608550 | | | | | • | • | | | | • | | | | | | | | | | | | | | | | |
| 33 | ANELLO OR 22X3 EPDM | 5403130 | • | • | • | • | • | • | • | • | • | • | | | | | | | | | | | | | | | | |
| 34 | CLIP TUBI SCAMB. ACQUA GAS | 5112510 | • | • | • | • | • | • | • | • | • | • | | | | | | | | | | | | | | | | |
| 35 | VASO ESPANS. CIRC. 10L ZILMET | 5808840 | | | | • | | • | • | | | • | | | | S | | | | | | | | | | | | |
| 35 | VASO ESPANSIONE CIRC. 10L-CIMM- | 5690740 | | | | • | | • | • | | | • | | | | | | | | | | | | | | | | |
| 35 | VASO ESPANS. CIRC. 8L ZILMET | 5625560 | • | • | • | | • | | • | • | • | | | | | S | | | | | | | | | | | | |
| 35 | VASO ESPANS. CIRC. 8L CIMM | 5625570 | • | • | • | | • | | • | • | • | | | | | | | | | | | | | | | | | |
| 36 | ASS. TUBO VASO ESPANSIONE | 5653290 | • | • | • | • | • | • | • | • | • | • | | | | | | | | | | | | | | | | |
| 37 | ASS. FRONTALE C.S. BAXI | 5656490 | | | | | • | | • | • | • | | | | B727 | S | | | | | | | | | | | | |
| 37 | ASS. FRONTALE C.S. | 5653710 | | | | | • | | • | • | • | | | | B728 | | | | | | | | | | | | | |
| 37 | ASS. FRONTALE C.S. BAXI | 5656500 | | | | | • | • | | | | • | | | B727 | S | | | | | | | | | | | | |
| 37 | ASS. FRONTALE C.S. | 5653710 | | | | | • | • | | | | • | | | B728 | | | | | | | | | | | | | |
| 38 | GUARNIZIONE PER VETRINO | 5401610 | | | | | • | • | • | • | • | • | | | | | | | | | | | | | | | | |
| 39 | VETRINO ISPEZIONE FIAMMA | 5203930 | | | | | • | • | • | • | • | • | | | | | | | | | | | | | | | | |
| 40 | CORNICE PER VETRINO C.S. | 5103360 | | | | | • | • | • | • | • | • | | | | | | | | | | | | | | | | |
| 41 | ASS. BRUCIATORE 12 ELEMENTI | 5653310 | | | | | • | | • | • | | | | | | | | | | | | | | | | | | |
| 41 | ASS. BRUCIATORE 15 ELEMENTI | 5653300 | • | • | • | | | • | • | | | • | • | | | | | | | | | | | | | | | |
| 41 | ASS. BRUCIATORE 18 ELEM. | 5655610 | | | | • | | | | | | | | | | | | | | | | | | | | | | |
| 42 | ELEMENTO BRUCIATORE | 5604090 | • | • | • | • | • | • | • | • | • | • | | | | | | | | | | | | | | | | |
| 43 | ASS. RAMPA 12 F-U D.0,77 | 605990 | | | | | • | | • | • | | | | | | | | | | | | | | | | | | |
| 43 | ASS. RAMPA 15 F-U D.0,69 | 606190 | • | • | • | | | | | | | • | | | | | | | | | | | | | | | | |
| 43 | ASS. RAMPA 15 F-U D.1,18 | 606140 | • | • | • | | | | | | | • | | | | | | | | | | | | | | | | |
| 43 | ASS. RAMPA 18 F-U D.0,67 | 606920 | | | | • | | | | | | | | | | | | | | | | | | | | | | |
| 43 | ASS. RAMPA 18 F-U D.1,18 | 606910 | | | | • | | | | | | | | | | | | | | | | | | | | | | |
| 43 | ASS. RAMPA 12 F-U D.1,28 | 605850 | | | | • | | | • | • | | | | | | | | | | | | | | | | | | |
| 43 | ASS. RAMPA 15 F-U D.0,77 | 607400 | | | | | • | • | | | | • | | | | | | | | | | | | | | | | |
| 43 | ASS. RAMPA 15 F-U D.1,28 | 607410 | | | | | • | • | | | | • | | | | | | | | | | | | | | | | |
| 44 | GR. UGELLI D.0,67 G.2000 GPL | 608470 | | | | • | | | | | | | | | | | | | | | | | | | | | | |
| 44 | GR. UGELLI D.0,69 G.2000 GPL | 608460 | • | • | • | | | | | | | • | | | | | | | | | | | | | | | | |
| 44 | GR. UGELLI D.0,77 G.2000 GPL | 608450 | | | | • | • | • | • | • | • | • | | | | | | | | | | | | | | | | |
| 44 | GR. UGELLI D.1,18 G.2000 METANO | 608440 | • | • | • | • | | | | | | • | | | | | | | | | | | | | | | | |
| 44 | GR. UGELLI D.1,28 G.2000 METANO | 608430 | | | | • | • | • | • | • | • | • | | | | | | | | | | | | | | | | |
| 45 | GUARNIZIONE RAMPA | 5407940 | • | • | • | • | • | • | • | • | • | • | | | | | | | | | | | | | | | | |
| 46 | RACCORDO FLANGIATO PIANO | 5210680 | • | • | • | • | • | • | • | • | • | • | | | | S | | | | | | | | | | | | |
| 46 | ASS. RACCORDO FLANGIATO PIANO | 5657180 | • | • | • | • | • | • | • | • | • | • | | | | | | | | | | | | | | | | |
| 47 | GUARNIZIONE RACCORDO RAMPA | 5407810 | | | | • | • | • | • | • | • | • | | | | | | | | | | | | | | | | |
| 48 | SCHERMO BRUCIATORI 2000 | 5112090 | • | • | • | • | | | | | | | | | B634 | S | | | | | | | | | | | | |
| 48 | SCHERMO BRUCIATORI | 5116650 | • | • | • | • | | | | | | | | | B635 | | | | | | | | | | | | | |
| 49 | TAPPO M14X1-RAC. FLANG. | 5207070 | | | | | • | • | • | • | • | • | | | | | | | | | | | | | | | | |
| 59 | CAVO ACCENDITORE (X CONN.NAC) | 8419050 | • | • | • | • | • | • | • | • | • | • | | | | | | | | | | | | | | | | |
| 61 | CUFFIA PER CANDELA | 5404920 | • | • | • | • | | | | | | | | | | | | | | | | | | | | | | |
| 61 | CUFFIA X CANDELA CAMERA STAGNA | 5407830 | | | | | • | • | • | • | • | • | | | | | | | | | | | | | | | | |
| 62 | GR. PRESA DI PRES. C/PORTAGOMMA | 5643090 | | | | | • | • | • | • | • | • | | | B605 | N | | | | | | | | | | | | |
| 62 | PRESA DI PRESSIONE | 5409570 | | | | | • | • | • | • | • | • | | | B606 | | | | | | | | | | | | | |
| 63 | CANDELA ACCENSIONE DX E RILEV. | 8422570 | • | • | • | • | • | • | • | • | • | • | | | | | | | | | | | | | | | | |
| 70 | ASS. TUBO POMPA-SCAMB. | 5653250 | • | • | • | | • | | • | • | • | | | | B718 | S | | | | | | | | | | | | |
| 70 | ASS. TUBO POMPA-SCAMBIATORE | 5688840 | • | • | • | | • | | • | • | • | | | | B719 | | | | | | | | | | | | | |
| 70 | ASS. TUBO POMPA-SCAMB. | 5655470 | | | | | • | • | | | | • | | | B722 | S | | | | | | | | | | | | |
| 70 | ASS. TUBO POMPA-SCAMBIATORE | 5688850 | | | | | • | • | | | | • | | | B723 | | | | | | | | | | | | | |
| 70 | ASS. TUBO POMPA-SCAMB. | 5655530 | | | | • | | | | | | | | | | | | | | | | | | | | | | |
| 72 | POMPA UP 15-50 AO GRUNDFOS | 5655200 | • | • | • | | • | | • | • | • | | | | | | | | | | | | | | | | | |

LUNA 2000

| Pos. | Descrizione | Codice ricambio | CSB43124X660-1-2 - LUNA 1_240 I | | | | | | | | | | | Matr. iniz. | Matr. fin. | Int. | Note | |
|------|--------------------------------|-----------------|---------------------------------|---|---|---|---|---|---|---|---|----|----|-------------|------------|------|------|---|
| | | | 1 | 2 | 3 | 4 | 5 | 6 | 7 | 8 | 9 | 10 | 11 | | | | | |
| 72 | POMPA UP 15-60 AO GRUNDFOS | 5655620 | | | | ● | | | ● | ● | | | | ● | | | | |
| 73 | VALVOLA SFOGO ARIA C/ANELLO OR | 607290 | ● | ● | ● | ● | ● | ● | ● | ● | ● | ● | ● | ● | | | | |
| 74 | ANELLO OR 14X1,78 EP | 5406360 | ● | ● | ● | ● | ● | ● | ● | ● | ● | ● | ● | ● | | | | |
| 75 | GUARNIZIONE TUBI ACQUA C.S. | 5404670 | | | | | ● | ● | ● | ● | ● | ● | ● | | | | | |
| 76 | SCAMB. 12 PIASTRE-ALFA LAVAL- | 5653660 | | ● | ● | | | | | ● | ● | ● | | | | | | S |
| 76 | SC. CB16 12PIAS ALFA LAVAL | 5686670 | | ● | ● | | | | | ● | ● | ● | | | | | | S |
| 76 | SCAMB. 14 PIASTRE-ALFA LAVAL- | 5653680 | | | | ● | | | | | | | | | | | | S |
| 76 | SC. CB16 14PIAS ALFA LAVAL | 5686680 | | | | ● | | | | | | | | | | | | S |
| 76 | SCAMB. 16 PIASTRE | 5655780 | | | | | | | | | | | | ● | | | | S |
| 76 | SC. CB16 16PIAS ALFA LAVAL | 5686690 | | | | | | | | | | | | ● | | | B738 | S |
| 76 | SC. CB16 14PIAS ALFA LAVAL | 5686680 | | | | | | | | | | | | ● | | | B739 | |
| 77 | GUARNIZIONE SCAMB. A PIASTRE | 5404520 | | ● | ● | ● | | | | ● | ● | ● | ● | | | | | |
| 80 | GR. ES. - RR C/SENSORE ELETTR | 5658680 | | ● | | | | | | ● | | | | | | | | |
| 80 | GR. RIEMPIMENTO-R.R. | 5655650 | ● | | | | | ● | ● | ● | | | | | | | | |
| 80 | GR.ES-RR C/RUBINETTO | 5653550 | | | ● | ● | | | | | | ● | ● | ● | | | | |
| 81 | GR. FILTRO TRASDUT. -100103 | 612140 | | ● | | | | | | ● | | | | | | | | |
| 81 | GR.FILTRO OTTURATORE | 607240 | | | ● | ● | | | | | | ● | ● | ● | | | | |
| 82 | ASS. OTTURATORE | 5630170 | | | ● | ● | | | | | | ● | ● | ● | | | | |
| 85 | ANELLO OR 20,63X2,62 E.P. -7- | 5405350 | | ● | ● | ● | | | | ● | ● | ● | ● | ● | | | | |
| 87 | RACCORDO POMPA | 5210710 | ● | ● | ● | ● | ● | ● | ● | ● | ● | ● | ● | ● | | | | |
| 90 | GR. RIEMPIMENTO | 5630180 | | ● | ● | ● | | | | | | ● | ● | ● | ● | | | |
| 91 | RUBIN. OT. SCAR. CALD. 337221 | 5652030 | ● | ● | ● | ● | ● | ● | ● | ● | ● | ● | ● | ● | | | | |
| 92 | VALV. SICUR. C/OR 3 BAR | 5653690 | ● | ● | ● | ● | ● | ● | ● | ● | ● | ● | ● | ● | | | | S |
| 92 | VALV. SICUREZZA 3 BAR | 9951170 | ● | ● | ● | ● | ● | ● | ● | ● | ● | ● | ● | ● | | | | |
| 96 | ASS.TUBO HP (PRESA +) | 5653280 | | | ● | ● | | | | | | ● | ● | ● | | | | |
| 97 | ASS.TUBO LP (PRESA -) | 5653270 | | | ● | ● | | | | | | ● | ● | ● | | | | |
| 98 | ASS. TUBO BY-PASS MONOT. | 5628240 | ● | | | | | ● | | ● | | | | | | | | |
| 98 | ASS. TUBO BY-PASS MONOTERMICA | 5664370 | | | | | | ● | | | | | | | | | | |
| 98 | ASS. TUBO BY PASS | 5653260 | | ● | ● | ● | | | | | ● | ● | ● | ● | | | | |
| 99 | CLIP PER TUBO D.12 | 5108130 | ● | ● | ● | ● | ● | ● | ● | ● | ● | ● | ● | ● | | | | |
| 100 | ANELLO OR 13,94X2,62 EPDM | 5406630 | ● | ● | ● | ● | ● | ● | ● | ● | ● | ● | ● | ● | | | | |
| 101 | ASS.V3V PRESSOST.SENSORE | 5653590 | | | ● | ● | | | | | | ● | ● | ● | | | | |
| 102 | ASSIEME V3V -150039- | 5658690 | | ● | | | | ● | | ● | | | | | | | | |
| 102 | GR. PRESSOST/BY-PASS/M.R. | 5628230 | ● | | | | | ● | | ● | | | | | | | | |
| 102 | GR.V3V-PRESSOSTATO | 607250 | | | ● | ● | | | | | | ● | ● | ● | | | | |
| 103 | GR. SENSORE | 5629950 | | | ● | ● | | | | | | ● | ● | ● | | | | |
| 104 | ASS. RACCORDO U.S. | 5653840 | | ● | ● | ● | | | | | ● | ● | ● | ● | | | | |
| 106 | VITE M5X12TCEI-DIN 912 -57- | 8101430 | | ● | ● | ● | | | | | ● | ● | ● | ● | | | | |
| 107 | ASS. RACCORDO GUIDA ASTINA | 5630250 | ● | ● | ● | ● | ● | ● | ● | ● | ● | ● | ● | ● | | | | |
| 109 | GUARNIZIONE 10X14X1,5 AL -83- | 5207810 | ● | ● | ● | ● | ● | ● | ● | ● | ● | ● | ● | ● | | | | |
| 110 | MOLLA TIPO 25 BIS -34- | 8380530 | ● | ● | ● | ● | ● | ● | ● | ● | ● | ● | ● | ● | | | | |
| 111 | ASS. PIATTELLO PRESSOSTATO | 5630240 | ● | ● | ● | ● | ● | ● | ● | ● | ● | ● | ● | ● | | | | |
| 112 | MEMBRANA CON ORECCHIETTA -4- | 5405960 | ● | | | | | ● | | ● | | | | | | | | |
| 112 | MEMBRANA PRESSOSTATO -32- | 5405320 | | ● | ● | ● | | | ● | | ● | ● | ● | ● | | | | |
| 113 | GR. MANDATA BY-PASS | 5630190 | | ● | ● | ● | | | ● | | ● | ● | ● | ● | | | | |
| 113 | GR. MANDATA BY-PASS MT | 5635220 | ● | | | | | ● | | ● | | | | | | | | |
| 114 | ANELLO OR 26,64X2,62 E.P. -50- | 5403820 | | | ● | ● | | | | | | ● | ● | ● | | | | |
| 115 | GR. OTTUR.BY-PASS 100115+E0027 | 5645660 | ● | ● | ● | ● | ● | ● | ● | ● | ● | ● | ● | ● | | | | |
| 117 | ASS. PIATTELLO SANIT. 10.0213 | 5646180 | | | ● | ● | | | | | | ● | ● | ● | | | | |
| 118 | MOLLA CONICA -39- | 8380520 | | ● | ● | ● | | | ● | | ● | ● | ● | ● | | | | |
| 119 | ASS. OTTURATORE RISC. | 605760 | | ● | | | | | ● | | ● | | | | | | | |
| 119 | ASS. PIATTELLO RISCAL. 10.0214 | 5646170 | | | ● | ● | | | | | | ● | ● | ● | | | | |
| 120 | ASS. DISTANZIATORE | 600750 | | ● | | | | | ● | | ● | | | | | | | |
| 120 | GR. OTTURATORE SANIT. 10.0193 | 5646190 | | | ● | ● | | | | | | ● | ● | ● | | | | |
| 121 | VITE M5X10TEI INOX304-13/21/43 | 8101410 | | | ● | ● | | | | | | ● | ● | ● | | | | |
| 122 | ANELLO OR 23,47X2,62 E.P. -49- | 5405370 | ● | | ● | ● | ● | | ● | | | ● | ● | ● | | | | |

LUNA 2000

| Pos. | Descrizione | Codice ricambio | <div style="display: flex; justify-content: space-between;"> <div style="writing-mode: vertical-rl; transform: rotate(180deg);">CSB43124X660-1,2 - LUNA 1_240 I</div> <div style="writing-mode: vertical-rl; transform: rotate(180deg);">CSB43224X660-1 - LUNA AIR 240 I</div> <div style="writing-mode: vertical-rl; transform: rotate(180deg);">CSB43224X660-1,2 LUNA 240 I</div> <div style="writing-mode: vertical-rl; transform: rotate(180deg);">CSB43228X660-1,2 LUNA 240 I</div> <div style="writing-mode: vertical-rl; transform: rotate(180deg);">CSB43524X660-1,2-3-4-LUNA 1_240 FI</div> <div style="writing-mode: vertical-rl; transform: rotate(180deg);">CSB43531X660-1,2-3-4-LUNA 1_310 FI MY</div> <div style="writing-mode: vertical-rl; transform: rotate(180deg);">CSB43624X660-1,2 - LUNA AIR 240 FI</div> <div style="writing-mode: vertical-rl; transform: rotate(180deg);">CSB43624X660-1,2-3-LUNA 240 FI</div> <div style="writing-mode: vertical-rl; transform: rotate(180deg);">CSB43631X660-1,2-3-LUNA SUPER 240 FI</div> </div> | | | | | | | | | | | Matr. iniz. | Matr. fin. | Int. | Note | | |
|------|---------------------------------|-----------------|--|---|---|---|---|---|---|---|---|----|----|-------------|------------|------|------|---|--------|
| | | | 1 | 2 | 3 | 4 | 5 | 6 | 7 | 8 | 9 | 10 | 11 | | | | | | |
| 123 | VITE M5X13TC INOX 304 -71- | 8101440 | | | • | • | | | | | | • | • | • | | | | | |
| 124 | MOLLA -70- | 8380540 | | | • | • | | | | | | • | • | • | | | | | |
| 125 | ASS. SPINGI MICRO | 5630260 | | | • | • | | | | | | • | • | • | | | | | |
| 126 | ASS. PIATTELLO SENSORE | 5630270 | | | • | • | | | | | | • | • | • | | | | | |
| 127 | MEMBRANA SENSORE -69- | 5405330 | | | • | • | | | | | | • | • | • | | | | | |
| 128 | ANELLO OR 2,6X1,9 E.P. -61- | 5405400 | | | • | • | | | | | | • | • | • | | | | | |
| 129 | NOTTOLINO GUIDA ASTINA -64- | 5207860 | | | • | • | | | | | | • | • | • | | | | | |
| 130 | ASS. MICRO C/LEVA | 5625770 | • | • | • | • | • | • | • | • | • | • | • | • | • | • | • | • | • |
| 131 | SONDA -SO10051- | 9950930 | • | • | • | • | • | • | • | • | • | • | • | • | • | • | • | • | S |
| 131 | SONDA RAPIDA HONEYWELL-SO11001 | 8434820 | • | • | • | • | • | • | • | • | • | • | • | • | • | • | • | • | |
| 132 | GUARNIZIONE SONDA 10X14X1,5 | 5402830 | | | • | • | • | | | | | • | • | • | • | • | • | • | |
| 135 | TERMOST. LIM. 105°C C/FAST PIEG | 9950760 | • | • | • | • | • | • | • | • | • | • | • | • | • | • | • | • | |
| 136 | ASS TUBO SCAMB-V3V | 5655460 | | | | | | | • | | | | | | | | | | • |
| 136 | ASS. TUBO SCAMB.-V3V | 5655560 | | | | | • | | | | | | | | | | | | |
| 136 | ASS.TUBO SCAMB.-M.R. | 5655640 | • | | | | | • | | | | | | | | | | | |
| 136 | ASS.TUBO SCAMB.-V3V | 5653240 | | • | • | | | | | | • | • | • | | | | | | |
| 136 | ASS.TUBO SCAMB-M.R. | 5656010 | | | | | | | | • | | | | | | | | | |
| 137 | BLOCCHETTO VALV. GAS | 5210700 | • | • | • | • | • | • | • | • | • | • | • | • | • | • | • | • | • |
| 138 | ANELLO OR 22,22X2,62 | 5402010 | • | • | • | • | • | • | • | • | • | • | • | • | • | • | • | • | • |
| 139 | RACCORDO ENTRATA VALVOLA GAS | 5210630 | • | • | • | • | • | • | • | • | • | • | • | • | • | • | • | • | • |
| 140 | ASS. VALV. GAS VK4105M 5033 | 5665210 | | | | | | | • | | | | | | | | | | |
| 140 | VALVOLA GAS SIT-845 SIGMA | 5653610 | • | • | • | • | • | • | • | • | • | • | • | • | • | • | • | • | • |
| 140 | VALV. GAS HON. -VK4105A 1027- | 5644680 | • | • | • | • | • | • | • | • | • | • | • | • | • | • | • | • | B240 S |
| 140 | ASS. VALV. GAS VK4105M 5033 | 5665210 | • | • | • | • | • | • | • | • | • | • | • | • | • | • | • | • | B240 |
| 141 | ASS. BOBINA-FERMO MD 10001 | 8440130 | • | • | • | • | • | • | • | • | • | • | • | • | • | • | • | • | |
| 142 | FERMO PER PERNO DI REGOLAZ. | 5108980 | • | • | • | • | • | • | • | • | • | • | • | • | • | • | • | • | |
| 143 | ASS. PERNO/MOLLA MET. MD10007 | 5637710 | • | • | • | • | • | • | • | • | • | • | • | • | • | • | • | • | |
| 144 | MOLLA CILINDRICA PER METANO | 8380640 | • | • | • | • | • | • | • | • | • | • | • | • | • | • | • | • | |
| 147 | TRAVERSA PORTAR. VERNIC. MONO | 5664840 | | | | | | | • | | | | | | | | | | |
| 147 | TRAVERSA PORTARAC. VERNICIATA | 5653160 | • | • | • | • | • | • | • | • | • | • | • | • | • | • | • | • | |
| 151 | COPERCHIO COMANDI LUNA 2000 | 5407850 | • | • | • | • | • | • | • | • | • | • | • | • | • | • | • | • | |
| 152 | CRUSC. SERIGR. LUNA AIR 240 FI | 5658660 | | | | | | | | | • | | | | | | | | |
| 152 | CRUSCOT. SERIGR. LUNA SUPER 240 | 5656480 | | | | | | | | | | | | • | | | | | |
| 152 | CRUSCOT. SERIGR. LUNA 1.240 FI | 5655550 | | | | | | • | | | | | | | | | | | |
| 152 | CRUSCOT. SERIGR. LUNA 1.310 FI | 5656020 | | | | | | | | • | | | | | | | | | |
| 152 | CRUSCOTTO SER. LUNA 1.310FI Mv | 5666150 | | | | | | | • | | | | | | | | | | |
| 152 | CRUSCOTTO SERI. LUNA AIR 240 I | 5658670 | | • | | | | | | | | | | | | | | | |
| 152 | CRUSCOTTO SERIGR. LUNA 1.240 I | 5655600 | • | | | | | | | | | | | | | | | | |
| 152 | CRUSCOTTO SERIGR. LUNA 240 FI | 5655220 | | | | | | | | | | | • | | | | | | |
| 152 | CRUSCOTTO SERIGR. LUNA 310 FI | 5655760 | | | | | | | | | | | | | • | | | | |
| 152 | CRUSCOTTO SERIGRAF. LUNA 240 I | 5655300 | | | | • | | | | | | | | | | | | | |
| 152 | CRUSCOTTO SERIGRAF. LUNA 280 I | 5655670 | | | | | • | | | | | | | | | | | | |
| 153 | COPERCHIO MORSETTIERA | 5407660 | • | • | • | • | • | • | • | • | • | • | • | • | • | • | • | • | |
| 154 | SCHEDA LUNA INT 2000-SIT | 5654950 | • | | • | • | • | • | • | • | • | • | • | • | • | • | • | • | S |
| 154 | SCHEDA LUNA INT. 2000 HON/INEC | 5655990 | • | | • | • | • | • | • | • | • | • | • | • | • | • | • | • | B437 S |
| 154 | SCHEDA LUNA BMBC | 5672510 | • | | • | • | • | • | • | • | • | • | • | • | • | • | • | • | B438 |
| 154 | SCHEDA OMNI 2000 | 5657840 | | • | | | | | • | | • | | | | | | | | B609 N |
| 154 | SCHEDA LUNA OMNI2005 BMBC HON. | 5678220 | | • | | | | | • | | • | | | | | | | | B610 |
| 157 | ANTINA | 5407820 | • | • | • | • | • | • | • | • | • | • | • | • | • | • | • | • | |
| 166 | MORSETTIERA 5P C/PORTAFUSIBILE | 8421590 | • | • | • | • | • | • | • | • | • | • | • | • | • | • | • | • | |
| 167 | PORTAFUSIBILE LUNA | 5405340 | • | • | • | • | • | • | • | • | • | • | • | • | • | • | • | • | |
| 168 | FUSIBILE 2A 250V | 9950580 | • | • | • | • | • | • | • | • | • | • | • | • | • | • | • | • | |
| 169 | ASS.MANOMETRO C/SUPPORTO | 9951020 | • | • | • | • | • | • | • | • | • | • | • | • | • | • | • | • | S |
| 169 | ASS.MANOMETRO/PORTAMANOM | 9951830 | • | • | • | • | • | • | • | • | • | • | • | • | • | • | • | • | |
| 174 | MANOPOLA LUNA 2000 | 5407790 | • | | • | • | • | • | • | • | • | • | • | • | • | • | • | • | B040 S |
| 174 | MANOPOLA LUNA SILVER | 5408150 | | • | | | | | • | | • | | | • | | | | | |

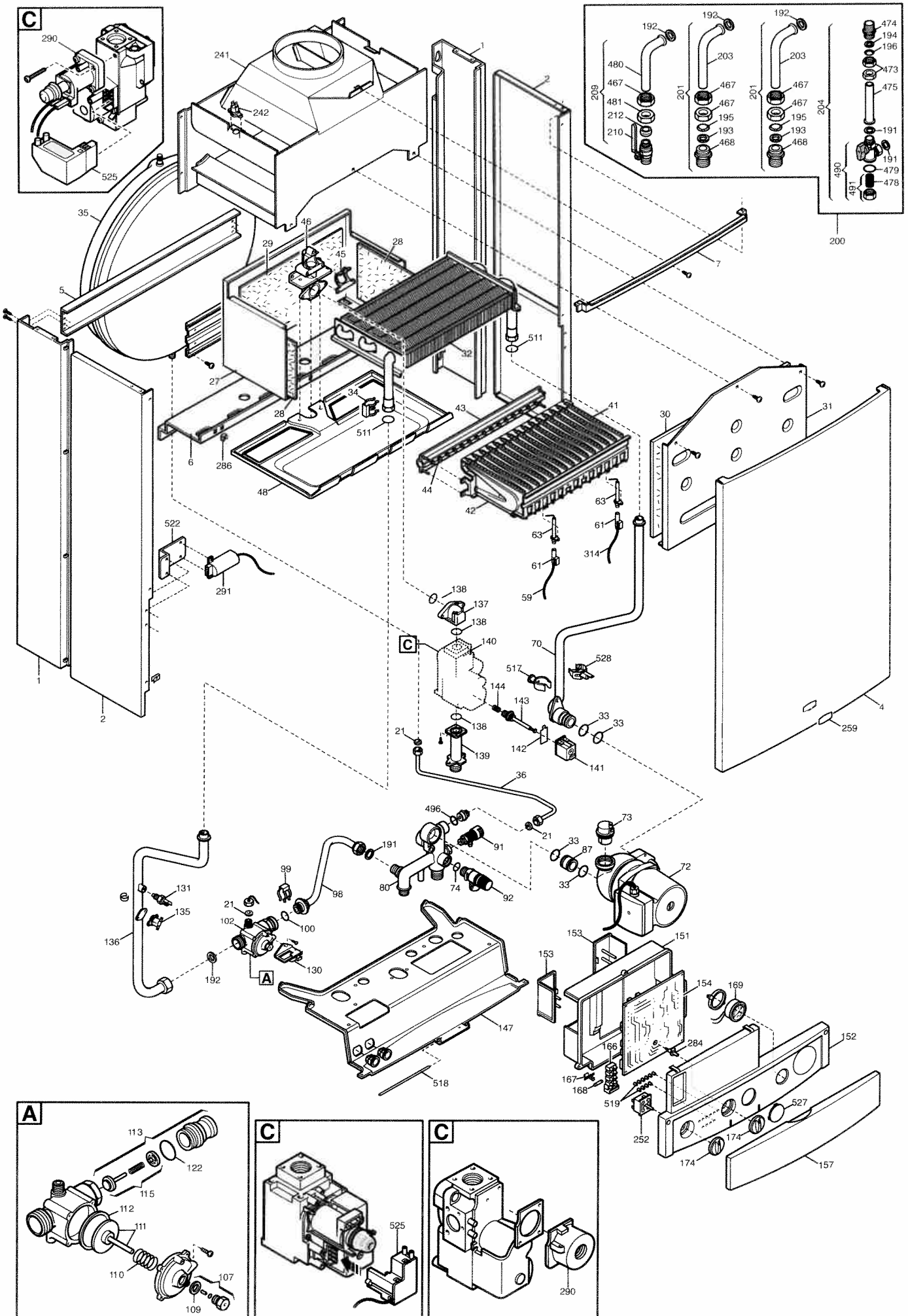
LUNA 2000

| Pos. | Descrizione | Codice ricambio | <div style="display: flex; justify-content: space-between;"> <div style="writing-mode: vertical-rl; transform: rotate(180deg);">CSBA3124X660-1-2 - LUNA 1_240 I</div> <div style="writing-mode: vertical-rl; transform: rotate(180deg);">CSBA3224X660-1-2 - LUNA AIR 240 I</div> <div style="writing-mode: vertical-rl; transform: rotate(180deg);">CSBA3224X660-1-2 - LUNA 240 I</div> <div style="writing-mode: vertical-rl; transform: rotate(180deg);">CSBA3524X660-1-2-3-4-LUNA 280 I</div> <div style="writing-mode: vertical-rl; transform: rotate(180deg);">CSBA3531X660-1-2-3-4-LUNA 1_240 FI</div> <div style="writing-mode: vertical-rl; transform: rotate(180deg);">CSBA3624X660-1-2-3-4-LUNA 1_310 FI M</div> <div style="writing-mode: vertical-rl; transform: rotate(180deg);">CSBA3624X660-1-2-3-LUNA AIR 240 FI</div> <div style="writing-mode: vertical-rl; transform: rotate(180deg);">CSBA3624X660-1-2-LUNA 240 FI</div> <div style="writing-mode: vertical-rl; transform: rotate(180deg);">CSBA3631X660-1-2-3-LUNA SUPER 240 FI</div> <div style="writing-mode: vertical-rl; transform: rotate(180deg);">CSBA3631X660-1-2-3-LUNA 310 FI</div> </div> | | | | | | | | | | | Matr. iniz. | Matr. fin. | Int. | Note | | |
|------|---------------------------------|-----------------|---|---|---|---|---|---|---|---|---|----|----|-------------|------------|------|------|------|------|
| | | | 1 | 2 | 3 | 4 | 5 | 6 | 7 | 8 | 9 | 10 | 11 | | | | | | |
| 174 | MANOPOLA LUNA SILVER | 5408150 | • | | • | • | • | | • | | • | | • | | | B040 | | | |
| 190 | GUARNIZIONE G3/8 8X15X2 WRC | 5404970 | | | | | | • | • | • | • | • | • | • | | | | | |
| 191 | GUARNIZIONE G1/2 12X18X2 WRC | 5404640 | • | • | • | • | • | • | • | • | • | • | • | • | | | | | |
| 192 | GUARNIZIONE G3/4 17X24X2 WRC | 5404650 | • | • | • | • | • | • | • | • | • | • | • | • | | | | | |
| 193 | GUARNIZIONE PER TUBO D.18 | 5400940 | • | • | • | • | • | • | • | • | • | • | • | • | | | | | |
| 194 | GUARNIZIONE PER TUBO D.14 | 5400950 | • | • | • | • | • | • | • | • | • | • | • | • | | | | | |
| 195 | ANELLO ELASTICO PER TUBO D.18 | 5101880 | • | • | • | • | • | • | • | • | • | • | • | • | | | | | |
| 196 | ANELLO ELASTICO PER TUBO D.14 | 5101890 | • | • | • | • | • | • | • | • | • | • | • | • | | | | | |
| 200 | DOTAZIONE CALDAIA | 5626010 | | • | • | • | | | | • | • | • | • | | | | | | |
| 200 | DOTAZIONE CALDAIA MONOT. | 5628320 | • | | | | | • | • | • | | | | | | | | | |
| 201 | RACCORDO RISCALDAMENTO | 5625950 | • | • | • | • | • | • | • | • | • | • | • | • | | | | | |
| 203 | TUBO MR-RR NICHELATO | 5628020 | • | • | • | • | • | • | • | • | • | • | • | • | | | | | |
| 204 | GR. RUBINETTO ES | 5625980 | • | • | • | • | • | • | • | • | • | • | • | • | | | | | |
| 205 | GR. CURVA 90/RAC. ASP. ARIA SUP | 5657210 | | | | | | | | | | | | • | | | | | |
| 206 | GR. RACCOGLI COND/RID/GIUNTO | 5659310 | | | | | | | | | | | | • | | | | | |
| 209 | GR. RUBINETTO GAS | 5627620 | • | • | • | • | • | • | • | • | • | • | • | • | | | | | |
| 210 | RUBINETTO MM G3/4 CON LEVA | 9950830 | • | • | • | • | • | • | • | • | • | • | • | • | | | | | |
| 212 | BICONO D.18-CU TE | 5209040 | • | • | • | • | • | | • | • | • | • | • | • | | | B202 | S | |
| 212 | BICONO IN PTFE D.18 | 5408330 | | | | | | • | | | | | | | | | | | |
| 212 | BICONO IN PTFE D.18 | 5408330 | • | • | • | • | • | | • | • | • | • | • | • | | | B202 | | |
| 241 | ASS. CAMERA FUMI 20 | 5625860 | • | • | • | | | | | | | | | | | | | | |
| 241 | ASS. CAMERA FUMI 24 | 5645560 | | | | • | | | | | | | | | | | | | |
| 242 | TH FUMI 70°-FAST PIEG-COLLAUD. | 600870 | • | • | • | | | | | | | | | | | | | | |
| 242 | TH FUMI R.A. 60°-FAST PIEG.-CO | 606930 | | | | • | | | | | | | | | | | | | |
| 252 | COMMUT ROTATIVO GOTTAK 4 POSIZ | 8434550 | • | • | • | • | • | • | • | • | • | • | • | • | | | | | |
| 259 | MARCHIO BAXI | 5657100 | • | • | • | • | • | • | • | • | • | • | • | • | | | | | |
| 280 | GUARNIZIONE 14,2X18X1,5 AL-18- | 5207730 | | • | • | • | | | | | | | | | | | | | |
| 284 | PERNO POTENZIOMETRO | 5405990 | • | • | • | • | • | • | • | • | • | • | • | • | | | | | |
| 286 | DADO IN GABBIA M5 | 8240530 | • | • | • | • | | | | | | | | | | | | | |
| 290 | ASS. MODULAT. VK4105M 5033 | 5665230 | | | | | | • | | | | | | | | | | | |
| 290 | REGOLATORE V5306E 1226 1 | 600850 | • | • | • | • | • | | • | • | • | • | • | • | | | B240 | S | |
| 290 | ASS. MODULAT. VK4105M 5033 | 5665230 | • | • | • | • | • | | • | • | • | • | • | • | | | B240 | | |
| 291 | ACCEND.C/CAVO-INECO-AC1A11401 | 5653930 | | | | | | • | | | | | | | | | | | |
| 291 | ACCEND.C/CAVO-INECO-AC1A11401 | 5653930 | • | • | • | • | | | • | | • | • | • | • | | | | B444 | N |
| 291 | ACCEND.C/CAVO-INECO-AC1A11401 | 5653930 | | • | | | | | • | | | | | | | | | B609 | N |
| 314 | CAVO CANDELA RIVELAZIONE | 8418870 | • | • | • | • | • | • | • | • | • | • | • | • | | | | | |
| 329 | PORTAGOMMA M5 | 5207030 | | | | | • | | • | | • | • | • | • | | | | | |
| 336 | MOLLA FIX MOTORE V3V | 8380680 | | • | | | | | • | | • | | | | | | | | |
| 337 | MOTORE ELBI | 5647340 | | • | | | | | • | | • | | | | | | | | |
| 363 | OR 13,6X2,7 HNBR-R0033-38-N/A | 5410020 | | | • | • | | | | | | • | • | • | | | | | |
| 467 | DADO G 3/4 NICHELATO | 9950310 | • | • | • | • | • | • | • | • | • | • | • | • | | | | | |
| 468 | NIPPO G 3/4 NICHELATO | 5627970 | • | • | • | • | • | • | • | • | • | • | • | • | | | | | |
| 471 | RACCORDO U.S. | 5625960 | | • | • | • | | | | | • | • | • | • | | | | | |
| 472 | TUBO U.S. NICHELATO | 5627990 | | • | • | • | | | | | • | • | • | • | | | | | |
| 473 | DADO G 1/2 NICHELATO | 9950300 | • | • | • | • | • | • | • | • | • | • | • | • | | | | | |
| 474 | NIPPO G 1/2 NICHELATO | 5627980 | • | • | • | • | • | • | • | • | • | • | • | • | | | | | |
| 475 | TUBO D.14 L=100 ES-NICHELATO | 5628000 | • | • | • | • | • | • | • | • | • | • | • | • | | | | | |
| 478 | FILTRO SANITARIO | 5110040 | • | • | • | • | • | • | • | • | • | • | • | • | | | | | (20) |
| 479 | ANELLO OR 20,35X1,78 NBR | 5405190 | • | • | • | • | • | • | • | • | • | • | • | • | | | | | |
| 480 | TUBO GAS NICHELATO | 5628010 | • | • | • | • | • | • | • | • | • | • | • | • | | | | | |
| 481 | DADO G 3/4 NICHELATO | 5628030 | • | • | • | • | • | • | • | • | • | • | • | • | | | | | |
| 490 | RUBINETTO ES C/FILTRO-CIMBERIO | 5625970 | • | • | • | • | • | • | • | • | • | • | • | • | | | | | |
| 491 | ASS. TAPPO-FILTRO | 5637070 | • | • | • | • | • | • | • | • | • | • | • | • | | | | B733 | S |
| 491 | GR.TAPPO G1/2 E 2 FILTRI | 824440 | • | • | • | • | • | • | • | • | • | • | • | • | | | B734 | | |
| 493 | ASS. POMOLO | 605660 | | • | • | • | | | | | • | • | • | • | | | | | |
| 496 | O-RING 2062 | 400020 | • | • | • | • | • | • | • | • | • | • | • | • | | | | | |

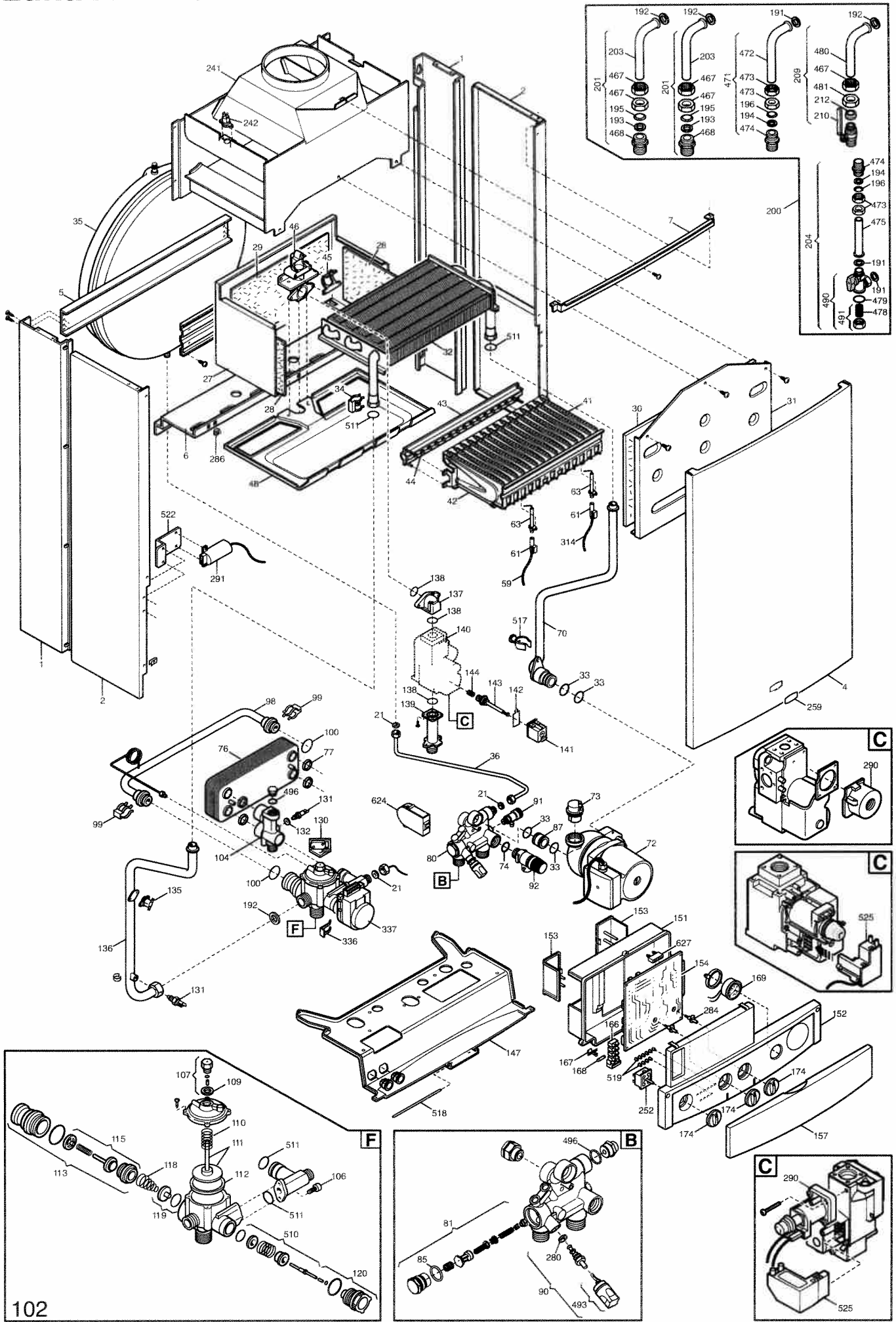
LUNA 2000

| Pos. | Descrizione | Codice ricambio | <div style="display: flex; justify-content: space-between;"> <div style="writing-mode: vertical-rl; transform: rotate(180deg);">CSB43124X660-1-2 - LUNA 1_240 I</div> <div style="writing-mode: vertical-rl; transform: rotate(180deg);">CSB43224X3690-1 - LUNA AIR 240 I</div> <div style="writing-mode: vertical-rl; transform: rotate(180deg);">CSB43224X660-1-2 LUNA 240 I</div> <div style="writing-mode: vertical-rl; transform: rotate(180deg);">CSB43228X660-1-2 - LUNA 240 I</div> <div style="writing-mode: vertical-rl; transform: rotate(180deg);">CSB43524X660-1-2-3-4-LUNA 280 I</div> <div style="writing-mode: vertical-rl; transform: rotate(180deg);">CSB435313620-1-2-3 - LUNA 1_240 FI</div> <div style="writing-mode: vertical-rl; transform: rotate(180deg);">CSB43531X660-1-2-3 - LUNA 1_310 FI MV</div> <div style="writing-mode: vertical-rl; transform: rotate(180deg);">CSB43624X3690-1-2 - LUNA AIR 240 FI</div> <div style="writing-mode: vertical-rl; transform: rotate(180deg);">CSB43624X660-1-2-3-LUNA 240 FI</div> <div style="writing-mode: vertical-rl; transform: rotate(180deg);">CSB43631X660-1-2-3-LUNA SUPER 240 FI</div> </div> | | | | | | | | | | | Matr. iniz. | Matr. fin. | Int. | Note | | | |
|------|--------------------------------|-----------------|---|---|---|---|---|---|---|---|---|----|----|-------------|------------|------|------|--|------|---|
| | | | 1 | 2 | 3 | 4 | 5 | 6 | 7 | 8 | 9 | 10 | 11 | | | | | | | |
| 510 | ASS. OTTURATORE SANIT. | 600760 | | • | | | | | • | | • | | | | | | | | | |
| 511 | ANELLO OR 17,86X2,62 EP -56- | 5404600 | • | • | • | • | • | • | • | • | • | • | • | • | | | | | | |
| 516 | PERNO | 5210670 | | | | | | • | • | • | • | • | • | • | | | | | | |
| 517 | ANCORAGGIO PER TUBO | 5407840 | • | • | • | • | • | • | • | • | • | • | • | • | | | | | | |
| 518 | PERNO CRUSCOTTO | 5112040 | • | • | • | • | • | • | • | • | • | • | • | • | | | | | | |
| 519 | GEMMA SEGNALAZIONE LUNA | 5407780 | • | • | • | • | • | • | • | • | • | • | • | • | | | | | | |
| 520 | DEFLETTORE ARIA | 5112050 | | | | | | • | • | • | • | • | • | • | | | | | | |
| 521 | MOLLA AGGANCIAMENTO DEFLETTORE | 8380730 | | | | | | • | • | • | • | • | • | • | | | | | | |
| 522 | SQUADR. ACCENDITORE VERNICIATA | 5655180 | • | | • | • | • | | | • | | • | | • | | | | | B444 | |
| 522 | SQUADR. ACCENDITORE VERNICIATA | 5655180 | | • | | | | | | • | | | | | | | | | B609 | |
| 525 | CONNETTORE NAC-SIT 0504014 | 8419080 | • | • | • | • | • | • | • | • | • | • | • | • | | | | | | |
| 525 | CONNETTORE ACCENDITORE ANSTOSS | 8510910 | • | | • | • | • | | | • | | • | | • | | | | | B445 | |
| 525 | CONNETTORE ACCENDITORE ANSTOSS | 8510910 | | • | | | | | | • | | | | | | | | | B610 | |
| 527 | TAPPO LUNA MONOTERMICA | 5408000 | • | | | | | • | | • | | | | | | | | | | |
| 528 | SONDA A CONTATTO ITS | 8434590 | • | | | | | • | | • | | | | | | | | | | S |
| 528 | ASS.SONDA ITS BLUE(BETA34) | 5695450 | • | | | | | • | | • | | | | | | | | | | |
| 624 | RILEVATORE EFFETTO HALL | 8434650 | | • | | | | | | | | • | | | | | | | | |
| 627 | CONNET.CONFIGUR. AIR | 8419350 | | • | | | | | | | | • | | | | | | | | |
| 627 | CONNETTORE CONFIGURAZ. SCHEDA | 8611750 | | | | | | | | • | | | | | | | | | | |
| 686 | VALVOLA NON RITORNO BY-PASS | 5663020 | | | | | | | | • | | | | | | | | | | |
| 999 | CABL.BT-SENSORE DI FLUSSO | 8419340 | | • | | | | | | | | • | | | | | | | | |
| 999 | CABL.COMPONENTI B.T. HON. | 5655110 | • | | • | • | • | | | • | | • | | • | | | | | B240 | |
| 999 | CABL.COMPONENTI B.T. - SIT | 5655100 | • | | • | • | • | | | • | | • | | • | | | | | | |
| 999 | CABL.MORSETTIERA | 8418950 | • | • | • | • | • | • | • | • | • | • | • | • | | | | | | |
| 999 | CABL.TERMOST.FUMI/TERMOST.LIM. | 8419140 | • | • | • | • | | | | | | | | | | | | | | |
| 999 | CABL.VENTIL/PRES.FUMI/TERM.LIM | 8419160 | | | | | | • | | • | | • | | • | | | | | | |
| 999 | CABLAGGIO ACCEND.-VALV.GAS HON | 8419150 | | • | | | | | | • | | • | | | | | | | B609 | |
| 999 | CABLAGGIO ACCEND.-VALV.GAS HON | 8419150 | • | | • | • | • | | | • | | • | | • | | | | | B444 | |
| 999 | CABLAGGIO B.T. VALV 3 VIE | 8510430 | | | | | | | | • | | | | | | | | | | |
| 999 | CABLAGGIO V-3-V ELETTRICA | 8419320 | | • | | | | | | | | • | | | | | | | | S |
| 999 | CABLAGGIO MOTORE V3V MAX | 8419270 | | • | | | | | | • | | • | | | | | | | | |
| 999 | CABLAGGIO POMPA-COMMUTATORE | 8419130 | • | • | • | • | • | • | • | • | • | • | • | • | | | | | | |
| 999 | CAVO ALIMENTAZIONE | 8414620 | • | • | • | • | • | • | • | • | • | • | • | • | | | | | | |
| 999 | CAVO MASSE - HON | 8419040 | • | | • | • | • | | | • | | • | | • | | | | | B444 | |
| 999 | CAVO MASSE - HON | 8419040 | | • | | | | | | • | | | | | | | | | B609 | |
| 999 | CAVO MASSE-SIT- | 8419080 | • | • | • | • | • | • | • | • | • | • | • | • | | | | | | |
| 999 | CONNETTORE TIMER | 8418860 | • | • | • | • | • | • | • | • | • | • | • | • | | | | | | |

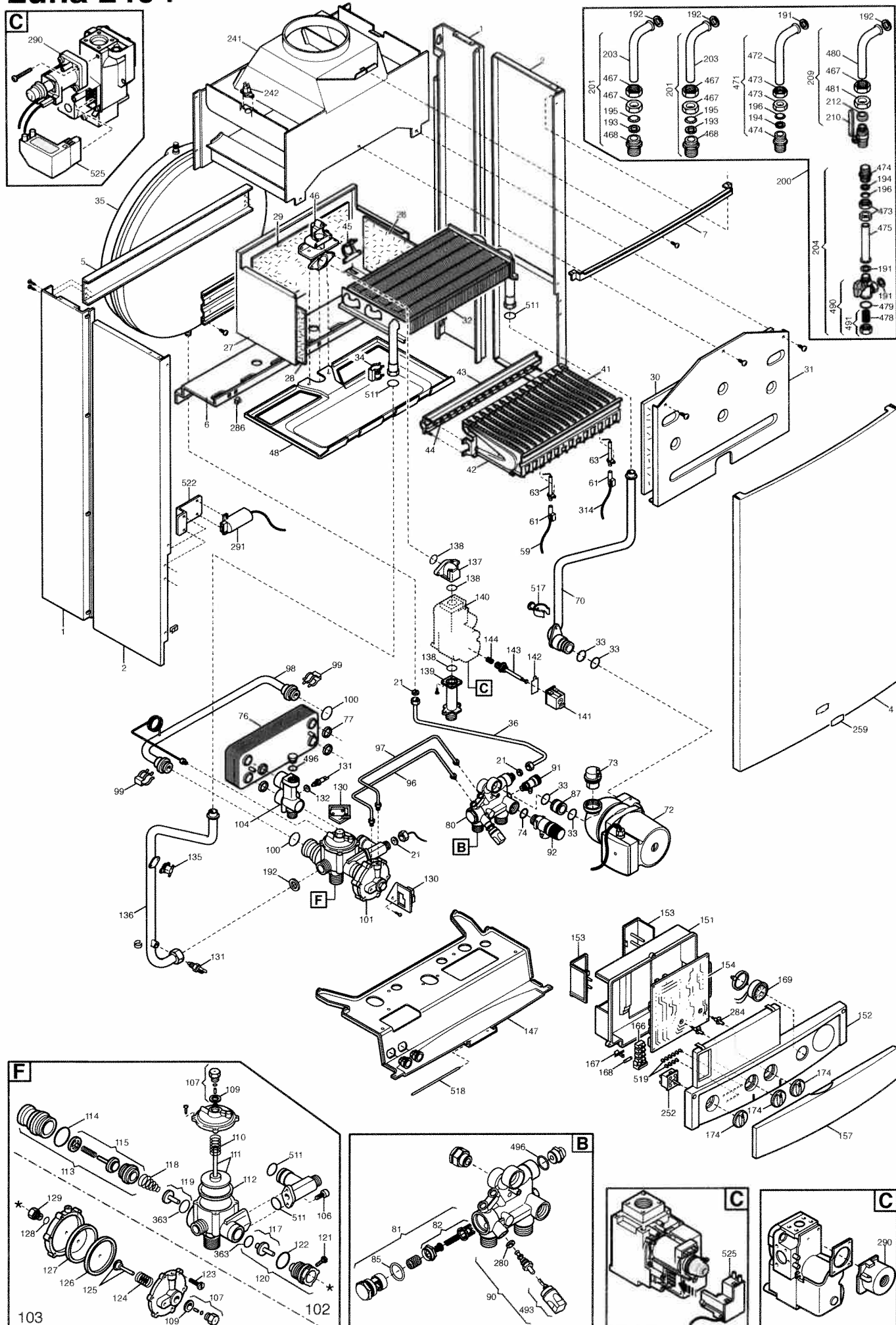
Luna 1.240 i



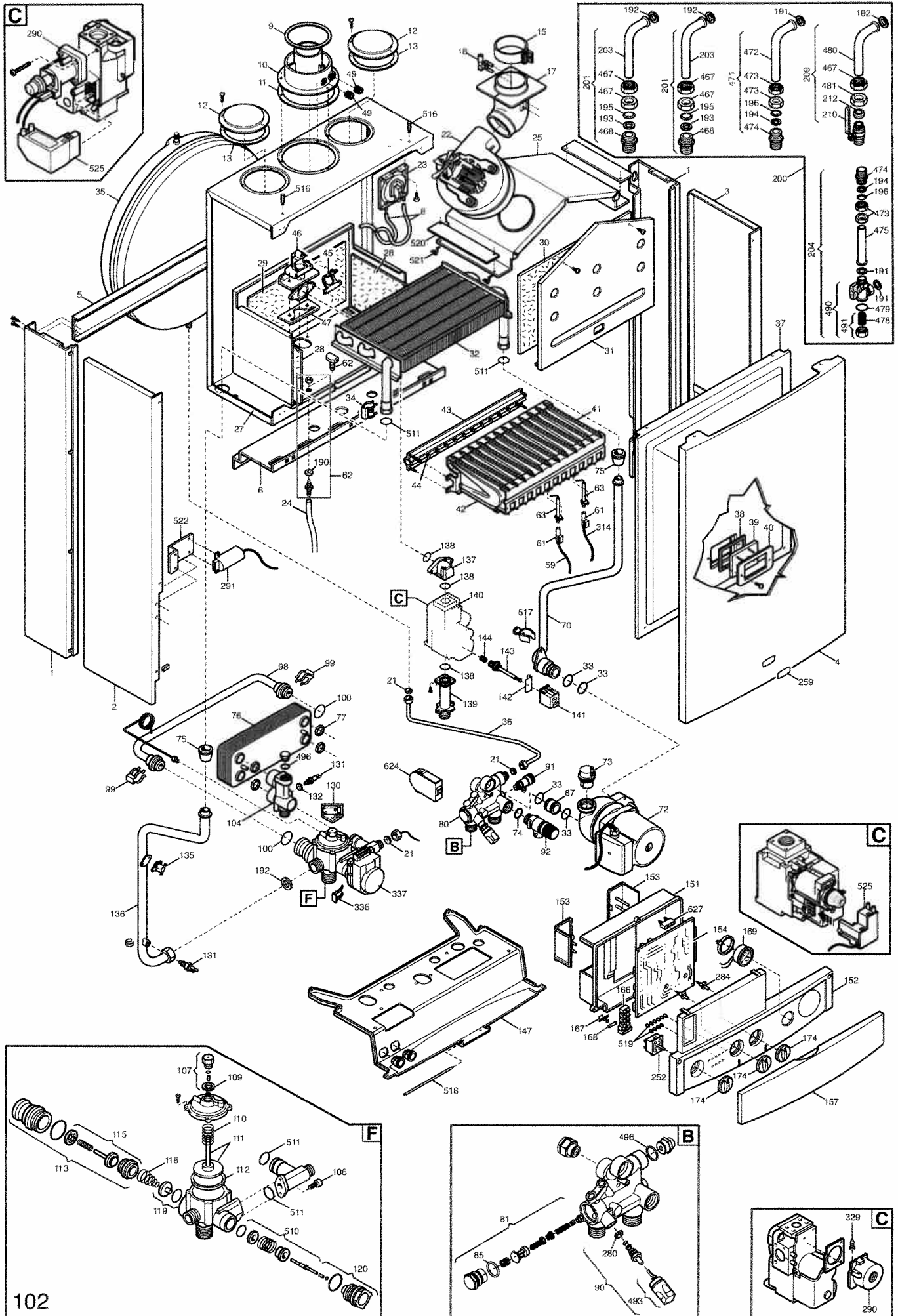
Luna Air 240 i



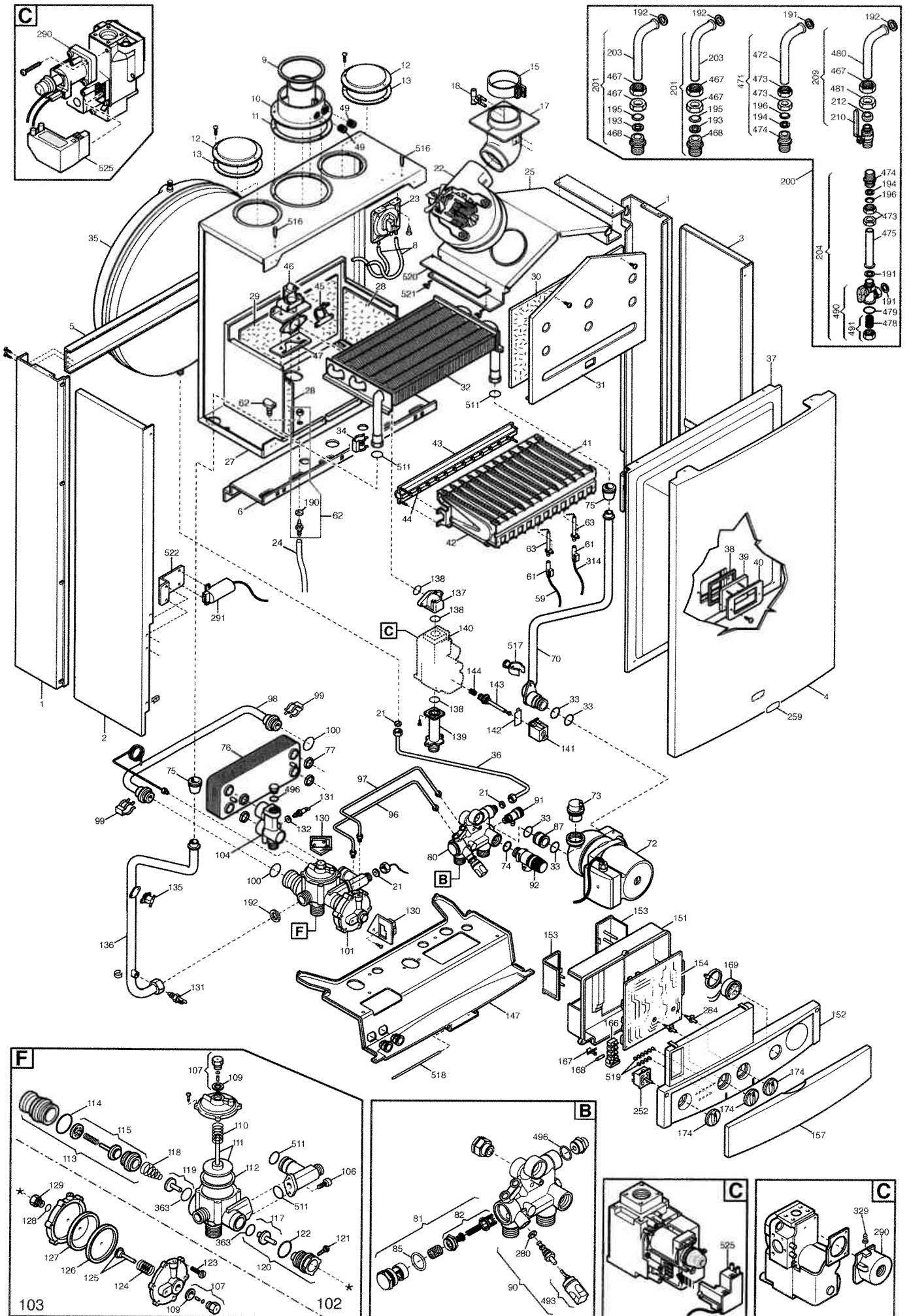
Luna 240 i



Luna Air 240 Fi



Luna 240 Fi



Luna 310 Fi

