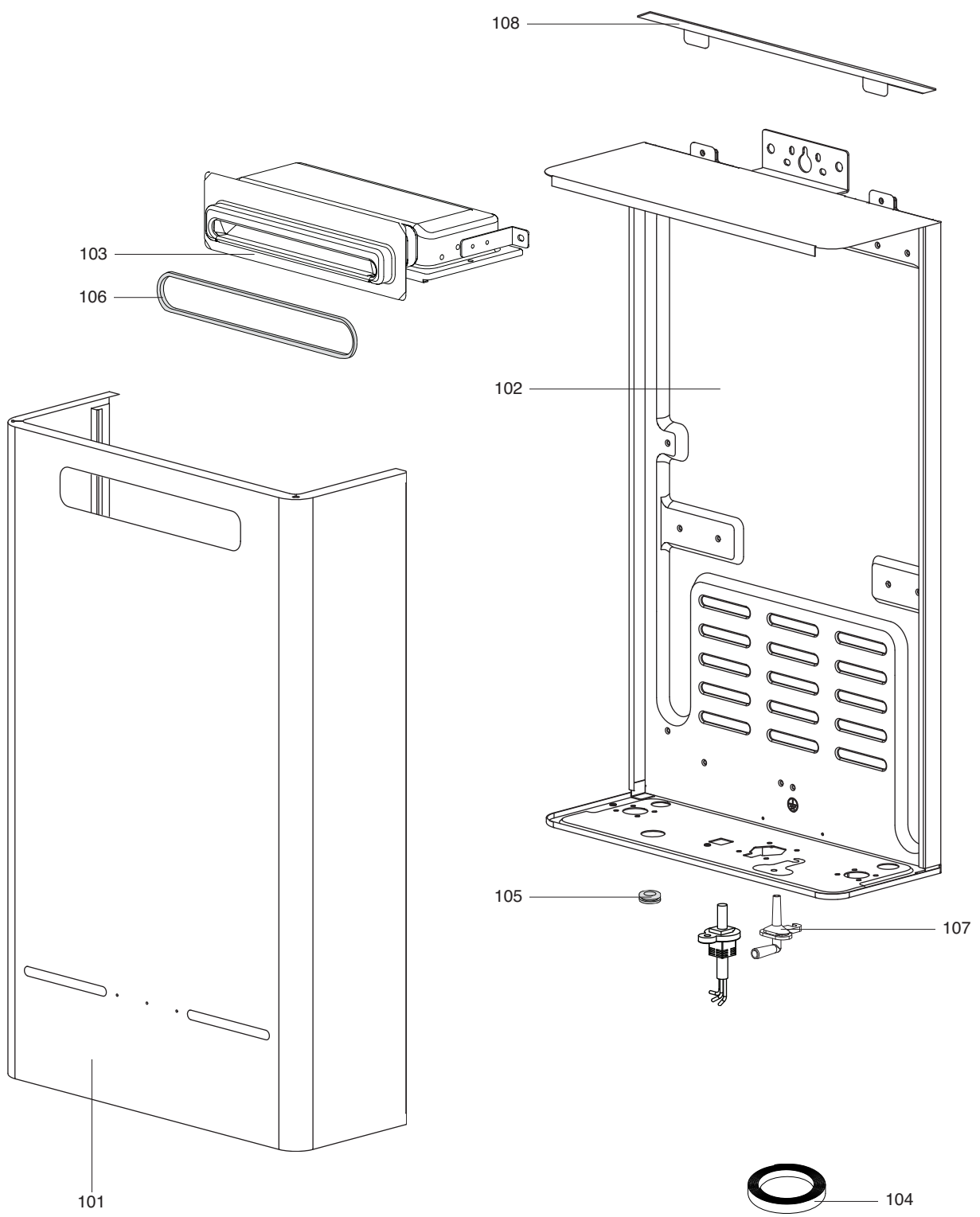
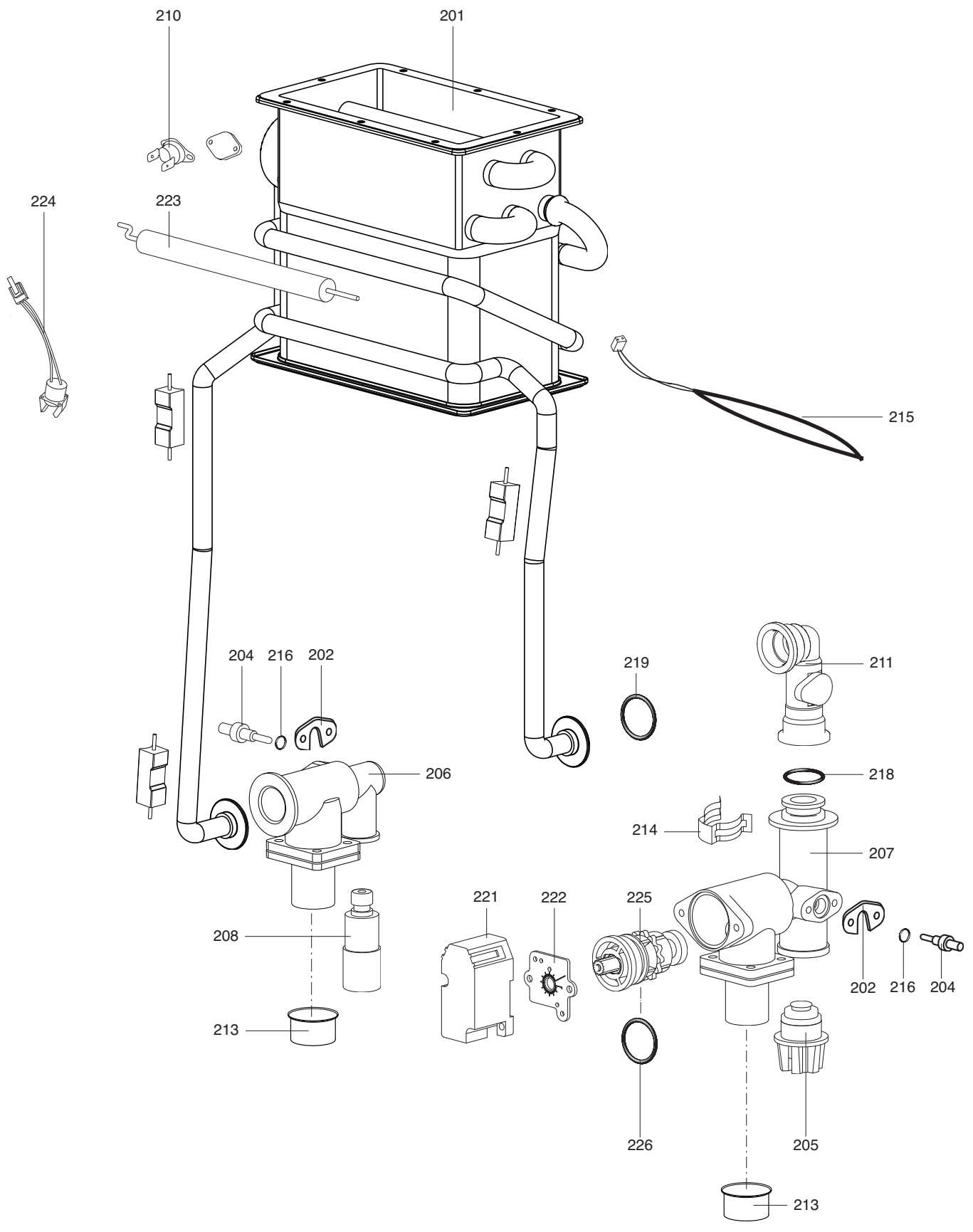


SPARE PARTS EXPLODED VIEW
INSTANTANEOUS GAS WATER HEATERS
Model
FLUENDO AVENIR OUTDOOR

R8216740-05 - 29/06/2012

1	3612017	FLUENDO AVENIR OUTDOOR 11 NG	12-2011	-
1	3612019	FLUENDO AVENIR OUTDOOR 11 LPG	12-2011	-
2	3612018	FLUENDO AVENIR OUTDOOR 16 NG	12-2011	-
Col	Reference	Model type	Begin	End

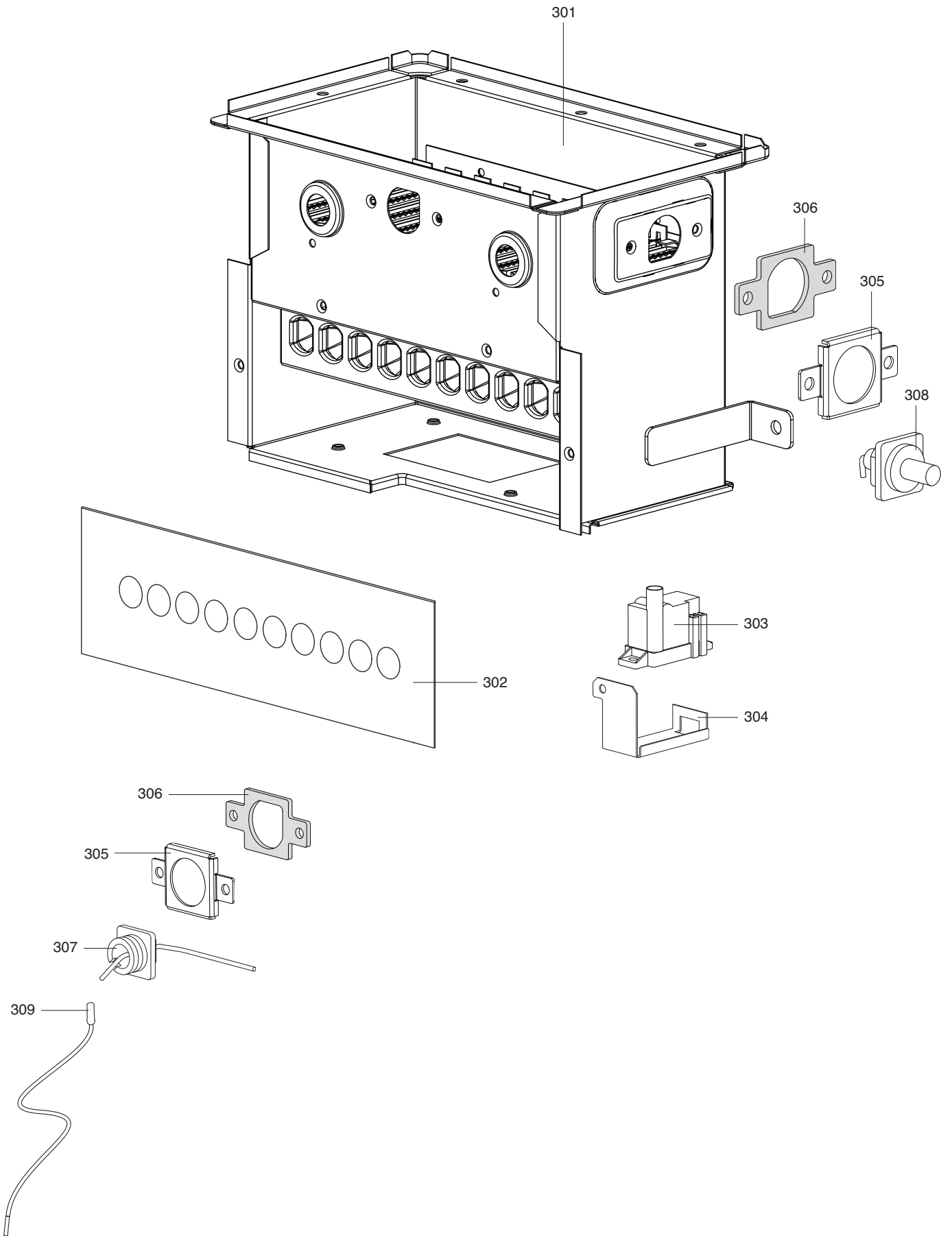




FLUENDO AVENIR OTD 11
 FLUENDO AVENIR OTD 16

31

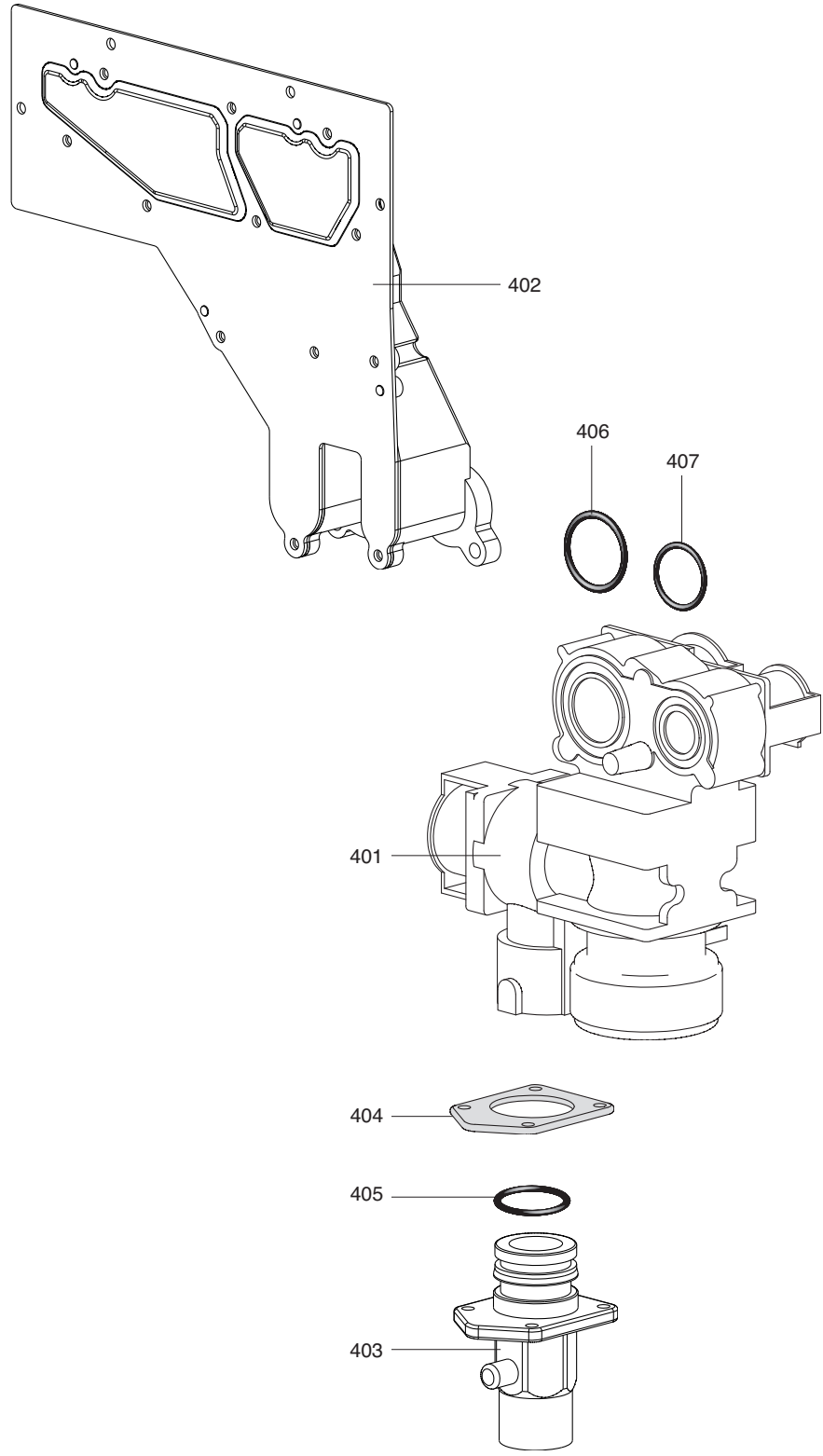
☉⇒	Description	Manf. Pt. N	Type																		
				1	2	3	4	5	6	7	8	9	10	11	12	13	14	15	16	17	18
0200	SEALED CASE																				
0201	HEAT EXCHANGER	65158370			●																
	HEAT EXCHANGER	65158371		●																	
0202	TEMPERATURE SENSOR SUPPORT	65158153		●	●																
0204	TEMPERATURE SENSOR	977227		●	●																
0205	FILTER	65158326		●	●																
0206	PIPE (D.H.W. OUTLET)	65158318		●	●																
0207	PIPE (COLD WATER INLET)	65158319		●	●																
0208	SAFETY VALVE	65158062		●	●																
0210	TEMPERATURE PROBE (NTC)	65158036		●	●																
0211	WATER FLOW SENSOR	65158402		●	●																
0213	PIPE COVER	65150062		●	●																
0214	CLIP	65158239		●	●																
0215	TEMPERATURE PROBE	65158030		●	●																
0216	O-RING 3.75X1.8 (10 PCS)	65158146		●	●																
0218	O-RING 15X2.65 (10 PCS)	65158339		●	●																
0219	O-RING 11.6X2.65 (10 PCS)	65158273		●	●																
0221	ACTUATOR	65158378		●	●																
0222	ACTUATOR SUPPORT	65158379		●	●																
0223	ANTI-FREEZE HEATING	65158546		●	●																
0224	ANTI-FREEZE THERMOSTAT	65158551		●	●																
0225	MIXING VALVE	65158399		●	●																
0226	O-RING 18X2.65 (10 PCS)	65158324		●	●																



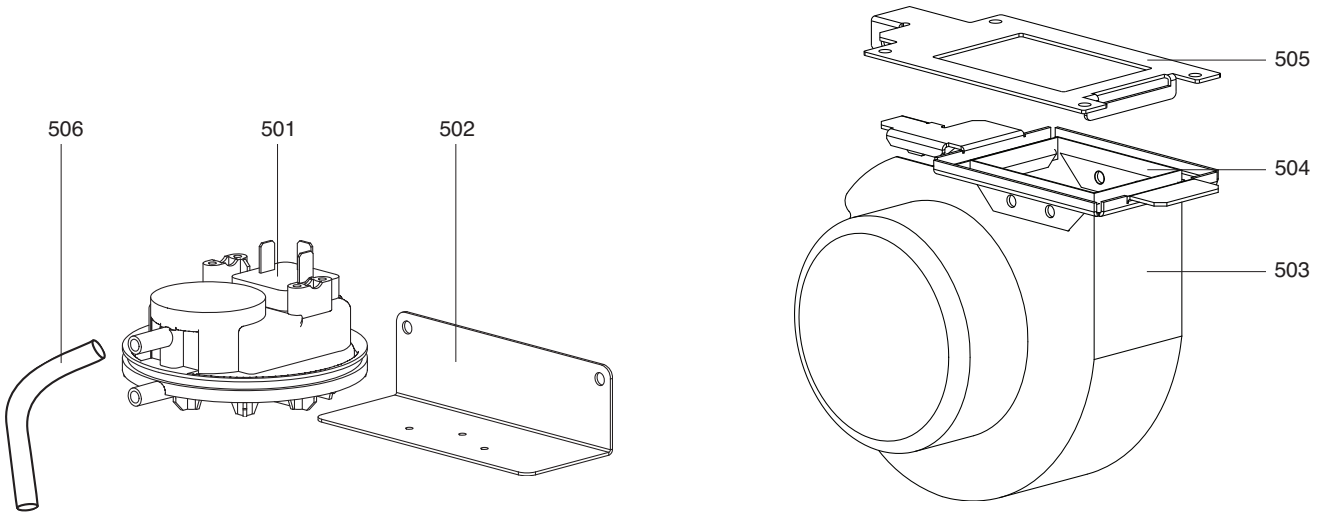
FLUENDO AVENIR OTD 11
 FLUENDO AVENIR OTD 16

31

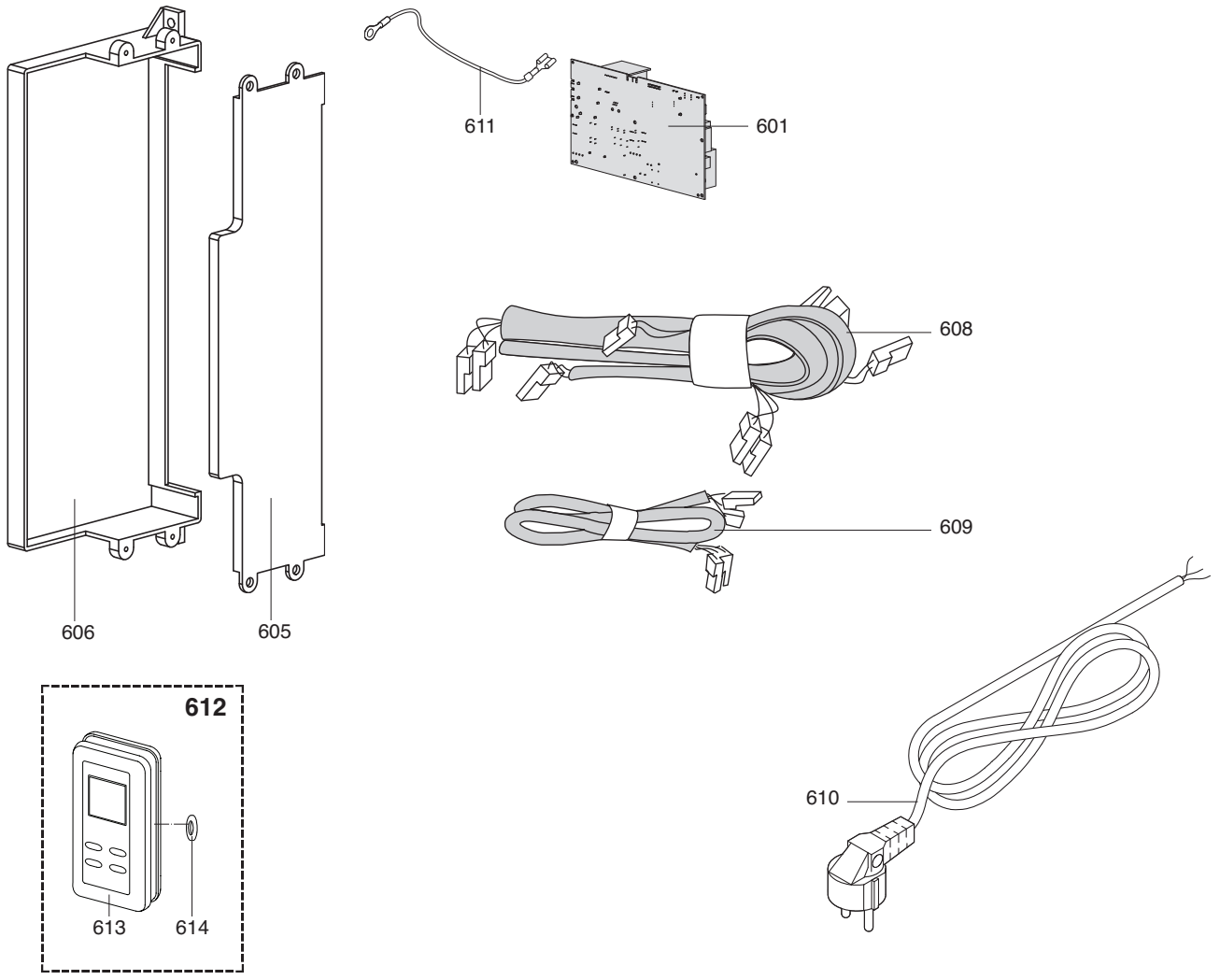
Description	Manf. Pt. N	Type	1 2 3 4 5 6 7 8 9 10 11 12 13 14 15 16 17 18																	
			1	2	3	4	5	6	7	8	9	10	11	12	13	14	15	16	17	18
0300 BURNER ASSEMBLY																				
0301 COMBUSTION CHAMBER ASSEMBLY	65158367			•																
0301 COMBUSTION CHAMBER ASSEMBLY	65158524		•																	
0302 PRIMARY AIR BOARD	65158405				•															
0303 IGNITOR	65158249			•	•															
0304 IGNITOR SUPPORT	65158251			•	•															
0305 ELECTRODE SUPPORT	65158244			•	•															
0306 AIRPROOF	65158245			•	•															
0307 DETECTION ELECTRODE	65158248			•	•															
0308 IGNITION ELECTRODE	65158357			•	•															
0309 CABLE (DETECTION ELECTRODE)	65158539			•	•															



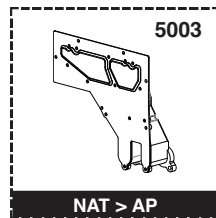
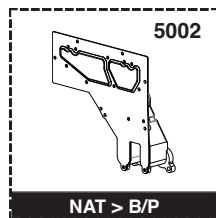
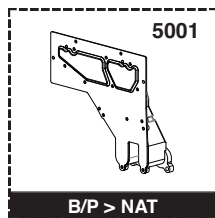
500



600



5000



FLUENDO AVENIR OTD 11
 FLUENDO AVENIR OTD 16

31

☉➔	Description	Manf. Pt. N	Type																		
				1	2	3	4	5	6	7	8	9	10	11	12	13	14	15	16	17	18
0500	FAN ASSEMBLY																				
0501	AIR PRESSURE SWITCH 74 Pa	60001280		•	•																
0502	AIR PRESSURE SWITCH SUPPORT	65158531		•	•																
0503	FAN (Assembly)	65158529		•	•																
0504	FAN SUPPORT	65158545		•	•																
0505	FAN ASSEMBLY SUPPORT	65158549		•	•																
0506	SILICONE PIPE	65158550		•	•																
0600	ELECTRICAL BOX																				
0601	P.C.B. (MAIN)	65158542		•	•																
0605	ELECTRICAL BOX COVER	65158246		•	•																
0606	ELECTRIC BOX	65158247		•	•																
0608	HIGH VOLTAGE CABLE	65158534		•	•																
0609	LOW VOLTAGE CABLE	65158536		•	•																
0610	POWER CABLE	65158888		•	•																
0611	CABLE (EARTH)	65158538		•	•																
0612	REMOTE CONTROLLER (CM)	65158709		•	•																
0613	DISPLAY COVER	65158523		•	•																
0614	CABLE HOLDER	65159068		•	•																
5000	ACCESSORIES																				
5001	CONVERSION KIT TO NATURAL GAS	65158694		•																	
5002	CONVERSION KIT TO LPG	65158695		•																	
	CONVERSION KIT TO LPG	65158697			•																
5003	CONVERSION KIT TO G230	65158692		•																	
	CONVERSION KIT TO G230	65158693			•																

LIST OF THE ABBREVIATIONS

- HW : Hot water.
- CW : Cold water.
- C : Ceramic resistance (normal heating).
- Ca : Ceramic resistance (accelerated heating)
- TP : Immersion heater.
- 1F : With fittings.
- 2F : Without fittings.
- 3F : With fittings and another outlet connection.
- AMI : With mixing valve.
- SMI : Without mixing valve.
- PUISS : Power of th appliance.
- PN : Appliance with normal pression.
- LP : Appliance with low pression.
- PV : Appliance with variable power.
- PF : Appliance with fixed power.

IDENTIFICATION PLATE

SERIAL NUMBER

6 Characters :
 Year of manufacture 03 09 08 Manufacturing day
 Month of manufacture

9 Characters :
 Year of manufacture 5 9 12 0606 Sequential number
 Month of manufacture

14 Characters :
SI-V-0B0 45 07 0001
 Sequential number
 Year of manufacture : 6 → 2004
 Month of manufacture : → 25 → January 43 → July 7 → 2005
13 → February 29 → August 8 → 2006
32 → March 40 → September etc ...
35 → April 38 → October
39 → May 51 → November
45 → June 12 → December
 Product model

15 Characters :
02 11 00001 007843
 Year of manufacture 02 Code appareil
 Month of manufacture 11 Sequential number

21 Characters :
3200050 XX 08115 0000001
 Product reference 08 Sequential number
 Year (08) / Manufacturing day (115)

22 Characters :
3200050 XX 070115 0000001
 Product reference 07 Sequential number
 Year (07) / Month (01) / Manufacturing day (15)

The indications mentioned on the prices, commercial or technical literature and the scheme are written for your guidance and are available at a given time. The CONSTRUCTOR retains the power to modify the presentation, the form, the size, the conception or the material of the products.