



ARISTON

SPARE PARTS EXPLODED VIEW INSTANTANEOUS GAS WATER HEATERS

Model

FAST EVO ONT B

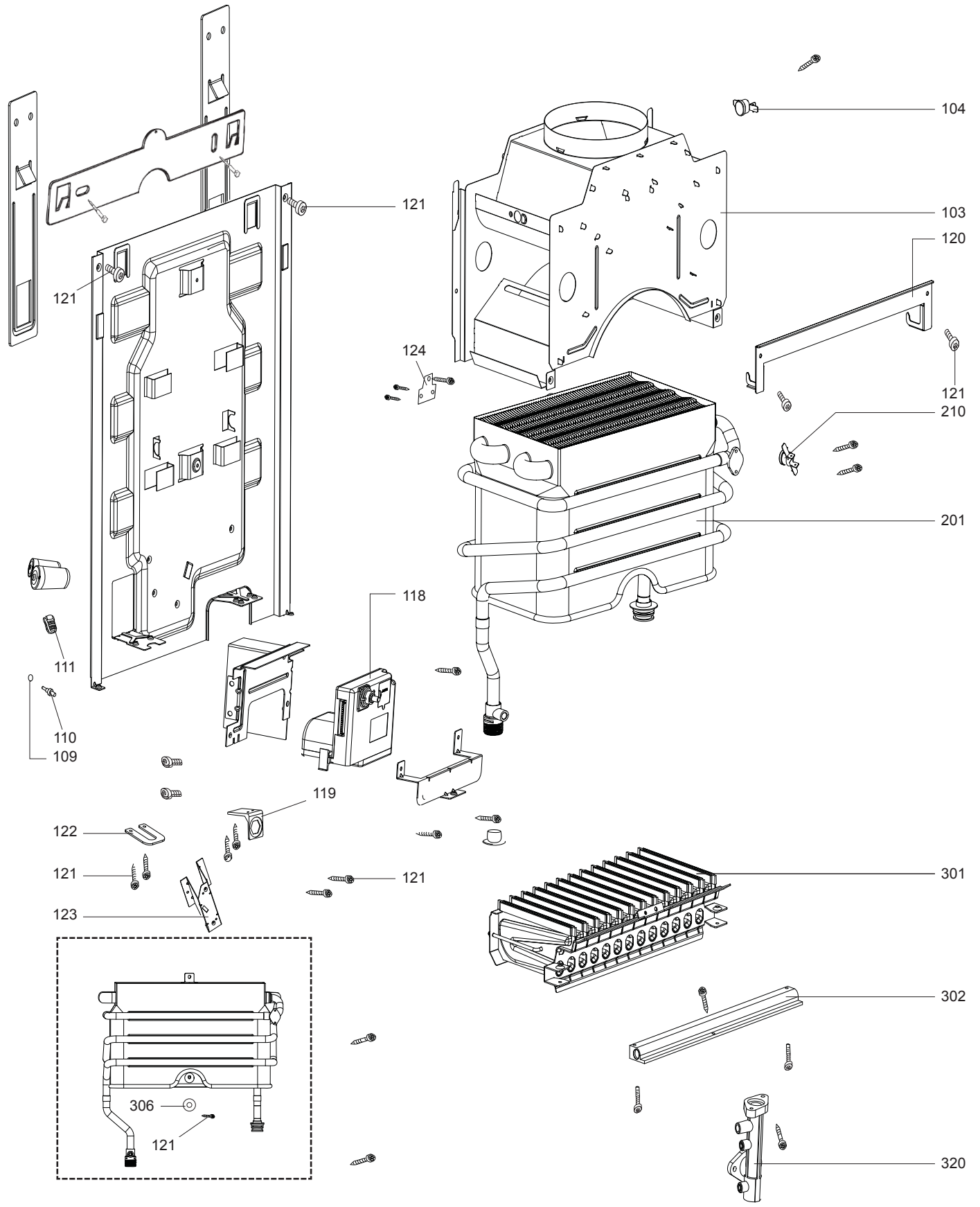
R8216886-03 - 05/02/2014

FAST EVO ONT B

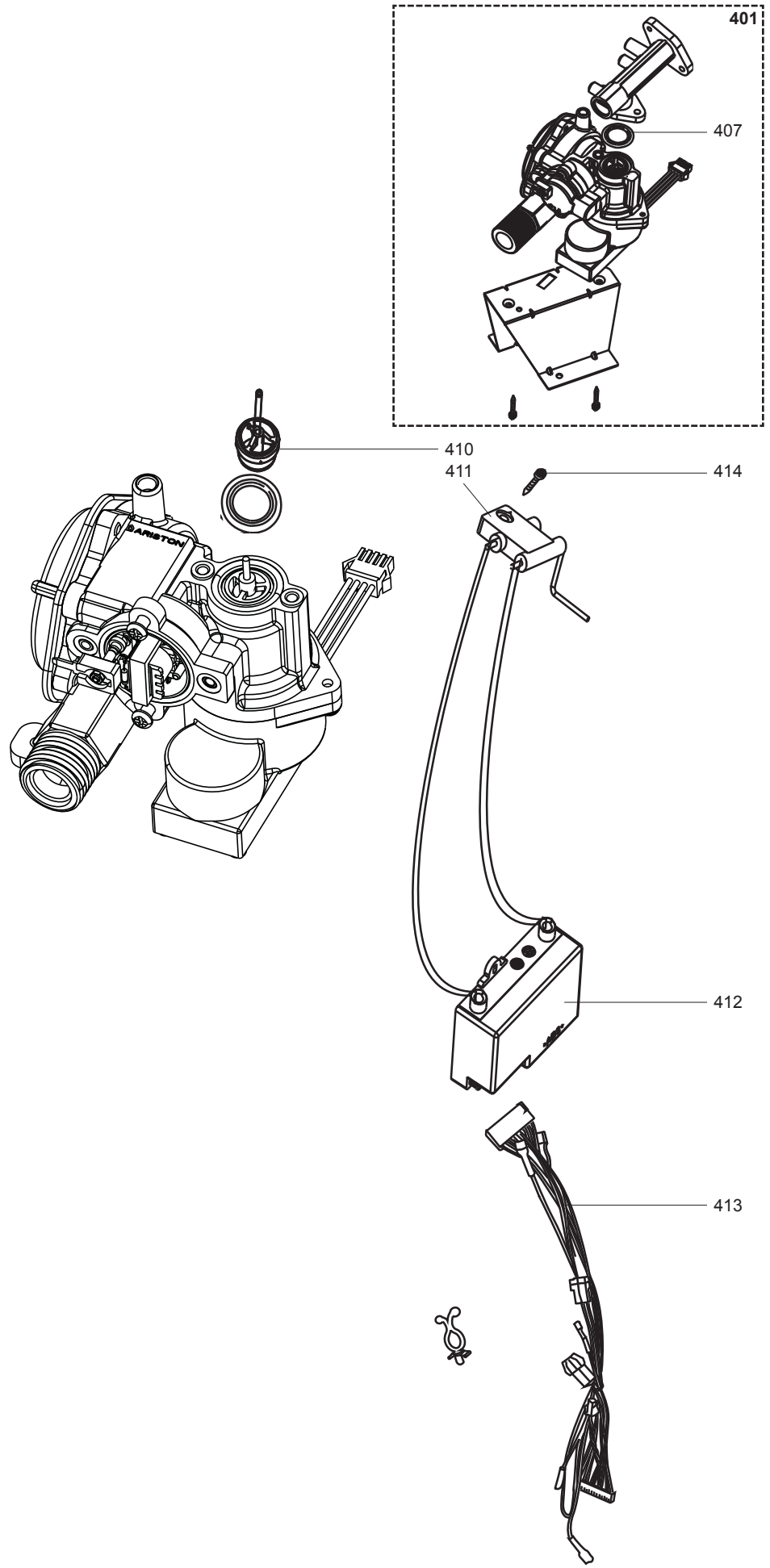
Instantaneous Gas Water Heaters

1	3632037	FAST EVO ONT B 11 NG	06-2013	-
1	3632029	FAST EVO ONT B 11 NG PIB-BE	06-2013	-
1	3632053	FAST EVO ONT B 11 NG PL	06-2013	-
1	3632047	FAST EVO ONT B 11 NG RU	06-2013	-
1	3632061	FAST EVO ONT B 11 NG AF	09-2013	-
2	3632038	FAST EVO ONT B 11 LPG	06-2013	-
2	3632030	FAST EVO ONT B 11 LPG PIB-BE	06-2013	-
2	3632062	FAST EVO ONT B 11 LPG AF	09-2013	-
3	3632039	FAST EVO ONT B 14 NG	06-2013	-
3	3632031	FAST EVO ONT B 14 NG PIB-BE	06-2013	-
3	3632048	FAST EVO ONT B 14 NG RU	06-2013	-
4	3632040	FAST EVO ONT B 14 LPG	06-2013	-
4	3632032	FAST EVO ONT B 14 LPG PIB-BE	06-2013	-
5	3632041	FAST EVO ONT B 16 NG	06-2013	-
6	3632042	FAST EVO ONT B 16 LPG	06-2013	-

Col	Reference	Model type	Begin	End
-----	-----------	------------	-------	-----

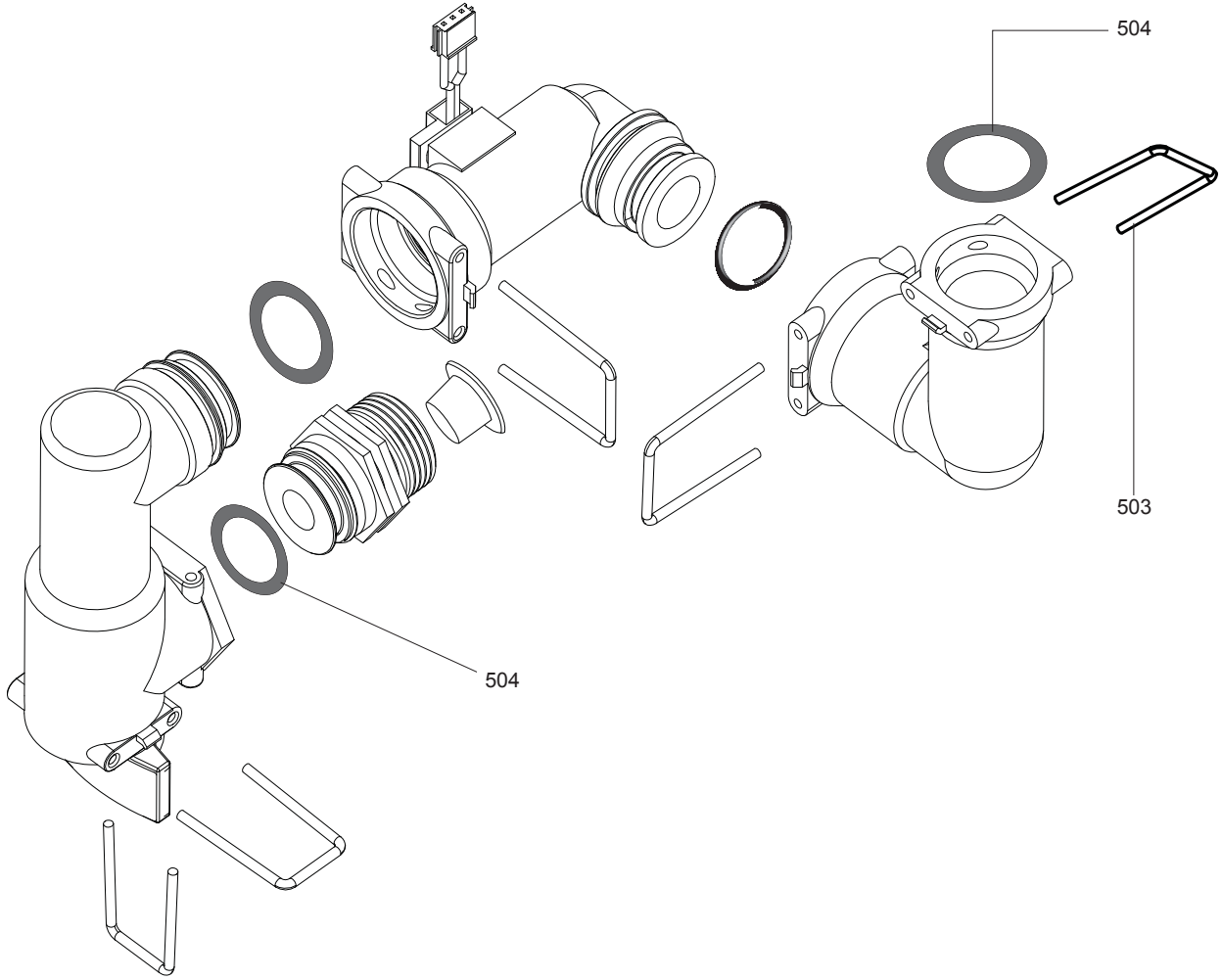


☉	Description	Manf. Pt. N	Type																			From	to
				1	2	3	4	5	6	7	8	9	10	11	12	13	14	15	16	17	18		
0100	CHASSIS																						
0103	11L FLUE HOOD	65152046		•	•																		
	14L FLUE HOOD	65152066				•	•																
	16L FLUE HOOD	65152116						•	•														
0104	THERMOCOUPLE	60000041		•	•	•	•																
	THERMOSTAT (SAFETY - 105°C)	65152115						•	•														
0109	O-RING 3.75X1.8 (10 PCS)	65158146		•	•	•	•	•	•	•													
0110	TEMPERATURE SENSOR	977227		•	•	•	•	•	•	•													
0111	NUT (TEMPERATUR SENSOR)	65152079		•	•	•	•	•	•	•													
0118	P.C.B. (MAIN)	65152047		•	•	•	•	•	•	•													
0119	BRACKET (PIPE, INLET-11L)	65152080		•	•																		
	BRACKET (PIPE, INLET-14L,16L)	65152152				•	•	•	•														
0120	FIXING BRACKET (HOOD, 11L)	65152084		•	•																		
	FIXING BRACKET (HOOD, 14L)	65152089				•	•																
	FIXING BRACKET (HOOD, 16L)	65152119								•	•												
0121	TAPPING SCREW CBLX D: 4.2-9.5	61010125		•	•	•	•	•	•	•													
0122	BRACKET (PIPE, OUTLET)	65152081		•	•	•	•	•	•	•													
0123	GAS VALVE BRACKET	65152082		•	•	•	•																
	GAS VALVE BRACKET	65152120								•	•												
0124	BRACKET (EXCHANGER)	65152083		•	•	•	•	•	•	•													
0200	MIXING BATTERY																						
0201	HEAT EXCHANGER	65152048		•	•																		
	HEAT EXCHANGER	65152067				•	•																
	HEAT EXCHANGER	65152118								•	•												
0210	THERMOSTAT (OVERHEAT)	65152049		•	•	•	•	•	•	•													
0300	BURNER ASSEMBLY																						
0301	MAIN BURNER	65152051		•	•																		
	MAIN BURNER	65152069				•	•																
	MAIN BURNER	65152111								•	•												
0302	GAS MANIFOLD (11L-G20)	65152052		•																			
	GAS MANIFOLD (11L-G30/G31)	65152108				•																	
	GAS MANIFOLD (14L-G20)	65152070					•																
	GAS MANIFOLD (14L-G30/G31)	65152110								•													
	GAS MANIFOLD (16L-G20)	65152112									•												
	GAS MANIFOLD (16L-G30/G31)	65152126										•											
0306	WASHER	65152050		•	•	•	•	•	•	•													
0320	GAS PIPE	65152053		•	•	•	•																
	GAS PIPE	65152113								•	•												



		<table border="0" style="width: 100%; border-collapse: collapse;"> <tr> <td colspan="18" style="border: none;"></td> <td style="border: none; text-align: center;">31</td> </tr> </table>																																				31																																																				
																		31																																																																								
	Description	Manf. Pt. N	Type	<table border="0" style="width: 100%; border-collapse: collapse;"> <tr> <td colspan="18" style="border: none;"></td> </tr> <tr> <td style="border: none; width: 15px;"></td> <td style="border: none; width: 15px;"></td> <td style="border: none; width: 15px;"></td> <td style="border: none; width: 15px;"></td> <td style="border: none; width: 15px;"></td> <td style="border: none; width: 15px;"></td> <td style="border: none; width: 15px;"></td> <td style="border: none; width: 15px;"></td> <td style="border: none; width: 15px;"></td> <td style="border: none; width: 15px;"></td> <td style="border: none; width: 15px;"></td> <td style="border: none; width: 15px;"></td> <td style="border: none; width: 15px;"></td> <td style="border: none; width: 15px;"></td> <td style="border: none; width: 15px;"></td> <td style="border: none; width: 15px;"></td> <td style="border: none; width: 15px;"></td> <td style="border: none; width: 15px;"></td> <td style="border: none; width: 15px;"></td> <td style="border: none; width: 15px;"></td> <td style="border: none; width: 15px;"></td> </tr> <tr> <td style="border: none;">11 L NG</td> <td style="border: none;">11 L G30/G31</td> <td style="border: none;">14 L NG</td> <td style="border: none;">14 L G30/G31</td> <td style="border: none;">16 L NG</td> <td style="border: none;">16 L G30/G31</td> <td colspan="13" style="border: none;"></td> <td style="border: none;"></td> <td style="border: none;"></td> <td style="border: none;"></td> <td style="border: none;"></td> <td style="border: none;"></td> <td style="border: none;"></td> <td style="border: none;"></td> <td style="border: none;"></td> <td style="border: none;"></td> </tr> </table>																																																									11 L NG	11 L G30/G31	14 L NG	14 L G30/G31	16 L NG	16 L G30/G31																							From	to
11 L NG	11 L G30/G31	14 L NG	14 L G30/G31	16 L NG	16 L G30/G31																																																																																					
1	2	3	4	5	6	7	8	9	10	11	12	13	14	15	16	17	18																																																																									

0400	GAS SECTION																																						
0401	GAS VALVE (14L NG-RUSSIA)	65152275			●																																		
	GAS VALVE (LPG)	65152125			●		●		●																														
	GAS VALVE NG	65152054			●		●		●																														
0407	O-RING	65152055			●	●	●	●	●	●																													
0410	11L G20 GAS DIAPHRAGM	65152056			●		●		●																														
	11L GAS DIAPHRAGM (G30)	65152109				●			●																														
0411	IGNITION ELECTRODE	65152057			●	●	●																																
	IGNITION ELECTRODE	65152114								●	●																												
0412	IGNITOR	65152058			●	●	●	●	●	●																													
0413	CABLE	65152059			●	●	●	●	●	●																													
0414	TAPPING SCREW CBLX D: 4.2-9.5	61010125			●	●	●	●	●	●																													



501

502

504

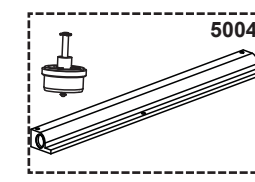
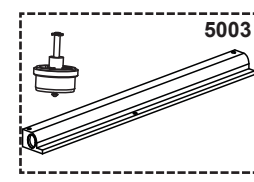
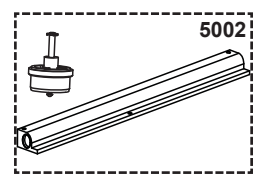
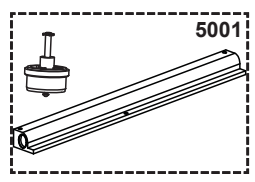
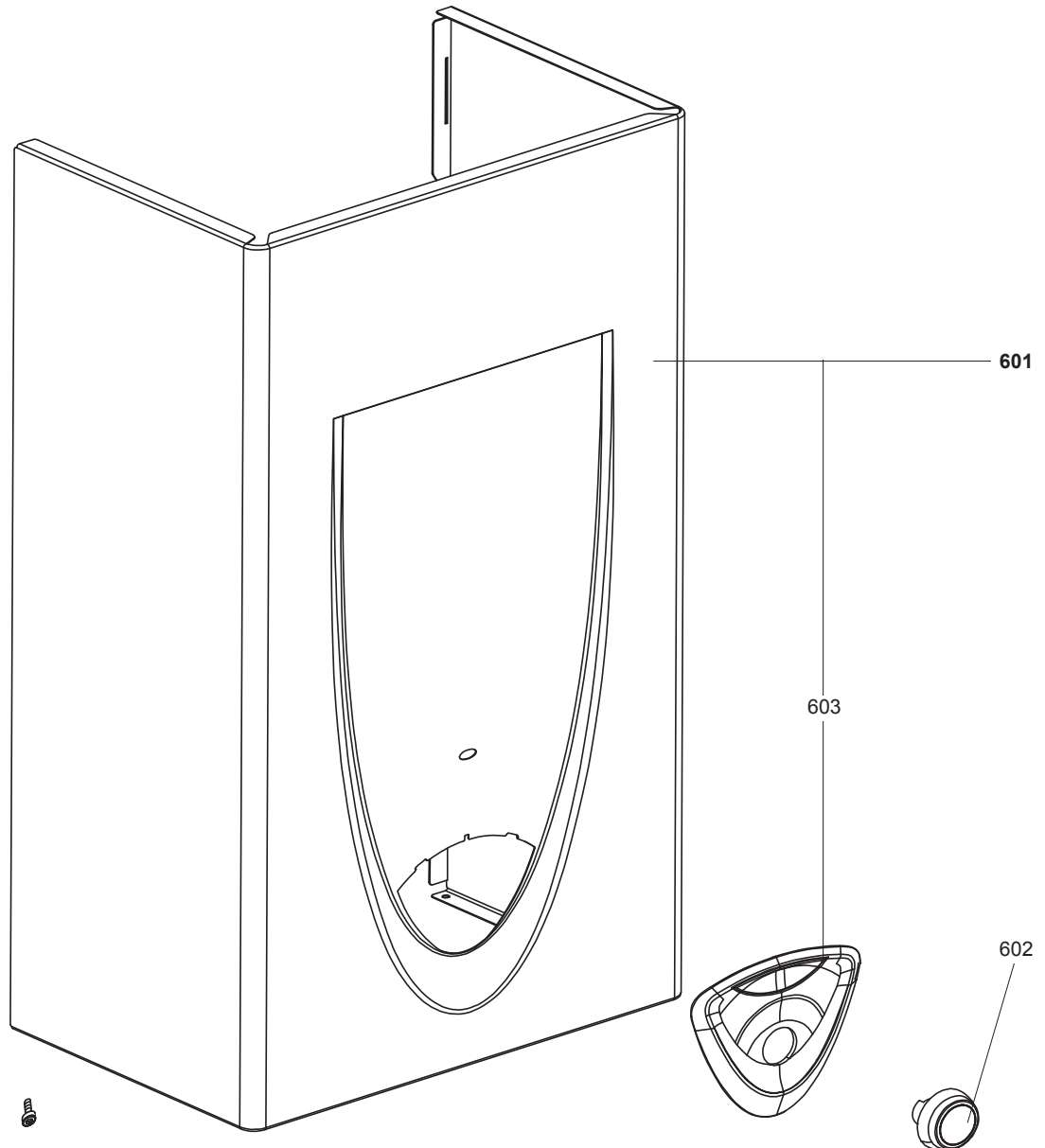
503

504

☺→ Description		Manf. Pt. N	Type																			From	to
				1	2	3	4	5	6	7	8	9	10	11	12	13	14	15	16	17	18		
0500	WATER SECTION ASSY																						
0501	WATER FLOW SENSOR	65152060		•	•	•	•	•	•														
0502	CLIP	65152061		•	•	•	•	•	•														
0503	CLIP	65152062		•	•	•	•	•	•														
0504	O-RING D: 12.3-2.4	60024164-47		•	•	•	•	•	•														

FAST EVO ONT B

Instantaneous Gas Water Heaters



☺⇒	Description	Manf. Pt. N	Type																			From	to
				1	2	3	4	5	6	7	8	9	10	11	12	13	14	15	16	17	18		
0600	FRONT CASE																						
0601	CASE PANEL (FRONT)	65152063		•	•																		
	CASE PANEL (FRONT)	65152071				•	•																
	CASE PANEL (FRONT)	65152117						•	•														
0602	KNOB (AR)	65152064		•	•	•	•	•	•														
0603	BASIC PLASTIC PANEL (AR)	65152090		•	•	•	•	•	•														
5000	ACCESSORIES																						
5001	GAS BURNER JET FULL KIT (11L-G30/G31)	65152073		•																			
	GAS BURNER JET FULL KIT (G30/G31-14L)	65152085				•																	
	GAS BURNER JET FULL KIT (G30/G31-16L)	65152088						•															
5002	GAS BURNER JET FULL KIT (G20-14L)	65152086					•																
	GAS BURNER JET FULL KIT G20 11L	65152076			•																		
	GAS BURNER JET FULL KIT G20 16L	65152087							•														
5003	GAS BURNER JET FULL KIT (G25.1/G27-11L)	65152075		•																			
5004	GAS BURNER JET FULL KIT (G230-11L)	65152074		•																			

