



**ARISTON**

## SPARE PARTS EXPLODED VIEW GAS-WALL CONDENSING BOILERS

Model

### **EGIS PREMIUM EVO IN - EXT**

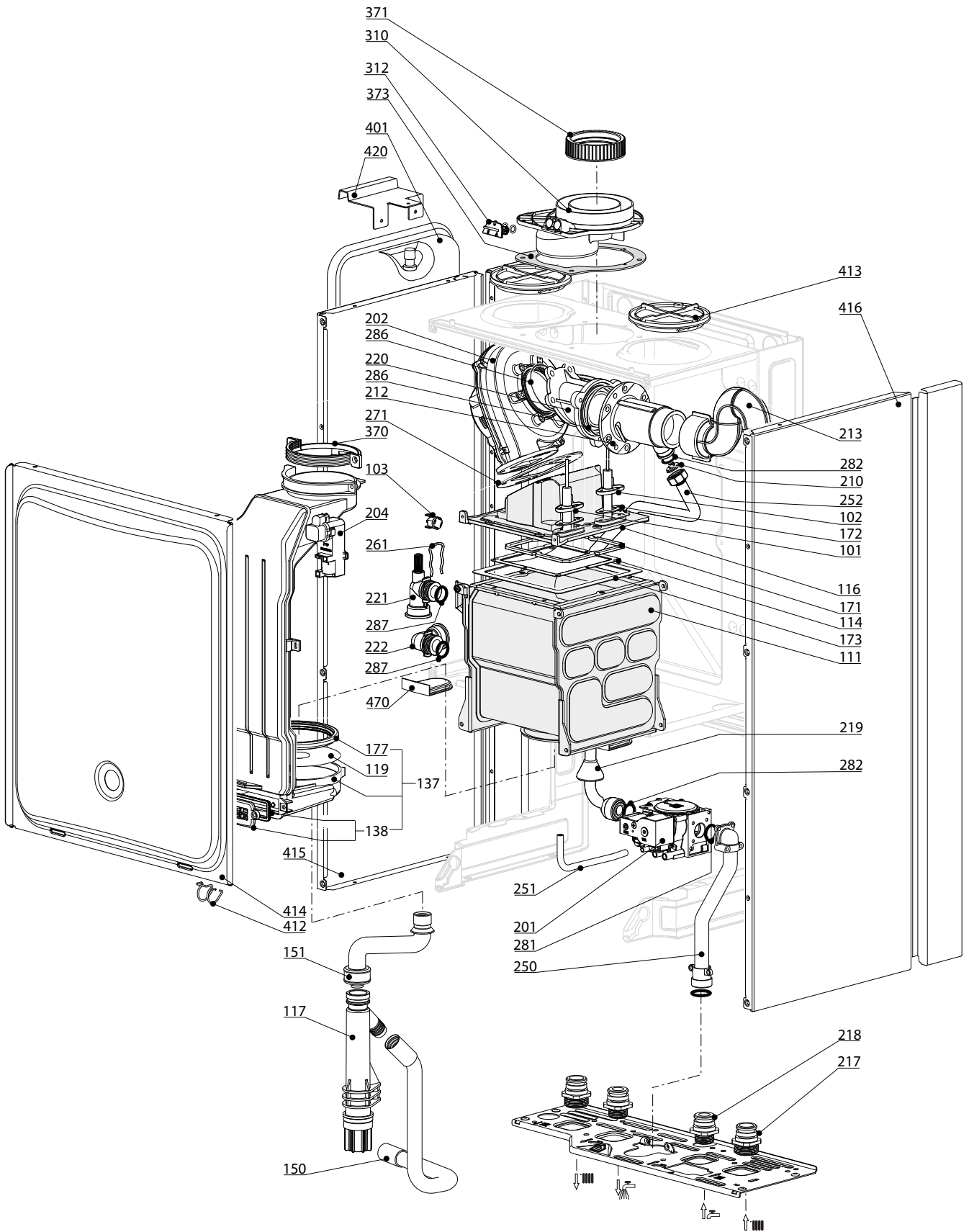
R8203409-04 - 17/03/2016

EGIS PREMIUM EVO IN - EXT

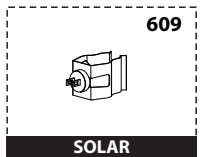
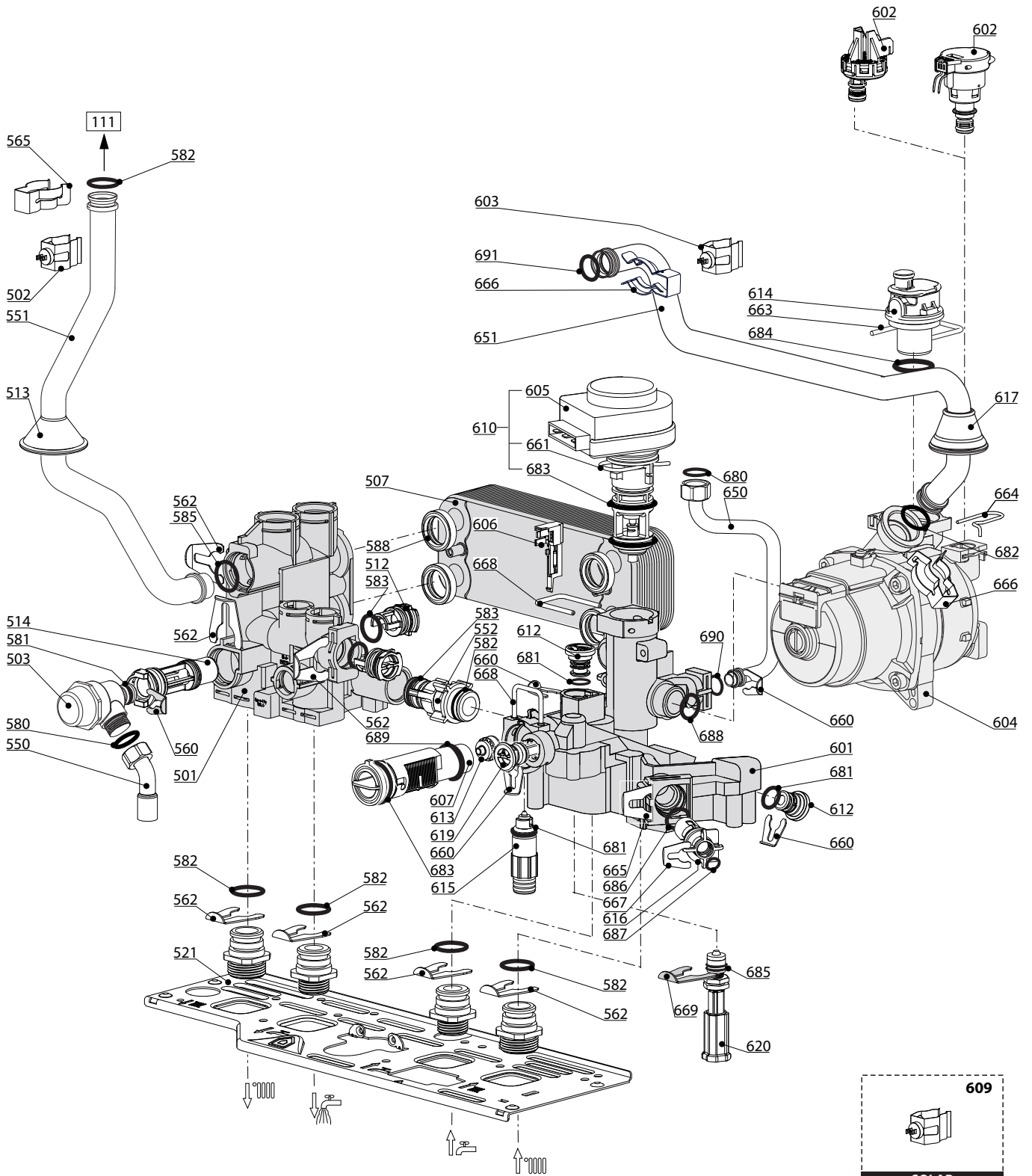
Gas-wall condensing boilers

1	3300420	EGIS PREMIUM EVO IN 25	02-2014	08-2015
2	3300734	EGIS PREMIUM EVO IN 25 EU	05-2015	-
3	3300763	EGIS PREMIUM EVO EXT 25 EU		
4	3300764	EGIS PREMIUM EVO EXT 30 EU		

Col	Reference	Model type	Begin	End
-----	-----------	------------	-------	-----



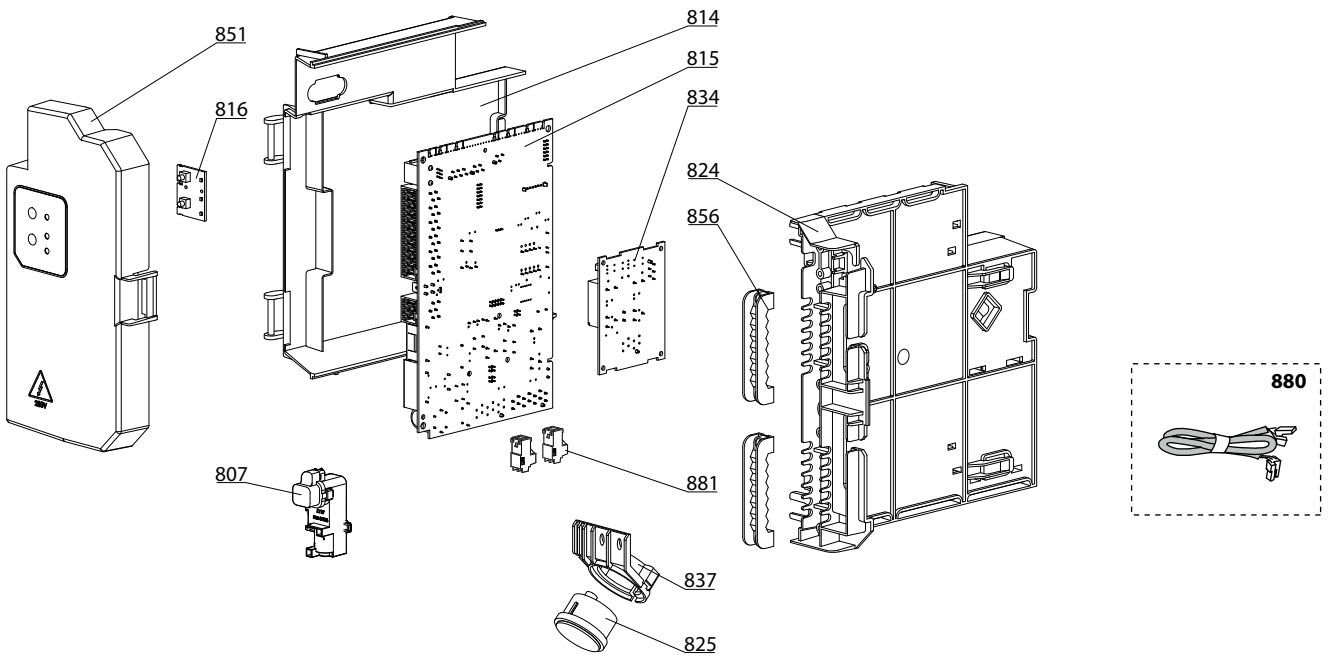




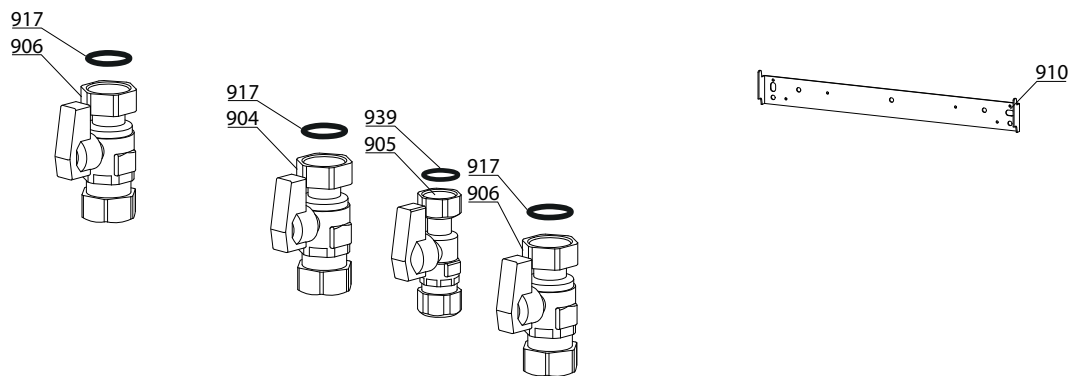
EGIS PREM. IN EVO 23  
 EGIS PREM. IN EVO 25 EU  
 EGIS PREM. EXT EVO 23 EU  
 EGIS PREM. EXT EVO 30 EU

Description	Manf. Pt. N	Type																			From	to
			1	2	3	4	5	6	7	8	9	10	11	12	13	14	15	16	17	18		
<b>0500 FLOW GROUP</b>																						
0501	FLOW GROUP KIT	60002320		•	•	•	•															
0502	TEMPERATURE PROBE + CLIP KIT	990686-01		•	•	•	•															
0503	PRESSURE RELIEF VALVE (3 BAR)	61312668		•	•	•	•															
0507	SANITARY HEAT EXCHANGER (16 P.)	65104333		•	•	•	•															
0512	PLUG	65104445		•	•	•	•															
0513	GROMMET	60000807		•	•	•	•															
0514	BY-PASS	65104336		•	•	•	•															
0521	HYDRAULIC GROUP SUPPORT	65104311		•	•	•	•															
0550	PIPE (SAFETY VALVE)	65104447		•	•	•	•															
0551	HEATING FLOW BEND	60002325		•	•	•	•															
0552	BY-PASS PIPE	65104340		•	•	•	•															
0560	CLIP D:10	65104260		•	•	•	•															
0562	CLIP D:18	65104259		•	•	•	•															
0565	CLIP	60000309		•	•	•	•															
0580	SHEET GASKET D: 13.9-10.4-1.5	60061853-02		•	•	•	•															
0581	O-RING 17.96X2.62	65104337		•	•	•	•															
0582	O-RING 17.86X2.62	61308091		•	•	•	•															
0583	O-RING 15.54X2.62	65104325		•	•	•	•															
0585	O-RING 17.04X3.53	65104262		•	•	•	•															
0588	EXCHANGER GASKET	65104334		•	•	•	•															
<b>0600 RETURN GROUP</b>																						
0601	RETURN GROUP	65104335		•	•	•	•															
0602	LOW PRESSURE SWITCH	65105090		•	•	•	•															
0603	TEMPERATURE PROBE + CLIP KIT	990686-01		•	•	•	•															
0604	PUMP 5M 2V WILO	65104319	WILO	•																		
	PUMP 5M PWM ENER+	60001947	ENER +		•	•	•															
0605	MOTOR (3-WAY VALVE)	61302483-01		•	•	•	•															
0606	SENSOR (REED)	65104323		•	•	•	•															
0607	FLOW METER	65104317		•	•	•	•															
0610	MOTOR + SPRING 3 WAY VALVE KIT	60001583-01		•	•	•	•															
0612	PLUG	65104377		•	•	•	•															
0613	RIDUCTORS (KIT)	65104318		•	•	•	•															
0614	AUTO AIR VENT ENER+	65112086	ENER +		•	•	•															
	AUTO AIR VENT WITH O-RING WILO	65104703	WILO	•																		
0615	KIT DRAIN SCREW	60001385		•	•	•	•															
0616	WATER FILTER	60001372		•	•	•	•															
0617	GROMMET	60000807		•	•	•	•															
0619	CHECK VALVE CARTRIDGE	65105323		•	•	•	•															
0620	FILLING TAP KIT	65114261		•	•	•	•															
0650	PIPE (EXPANSION VESSEL)	65107070		•	•	•	•															
0651	HEATING RETURN TUBE	60002326		•	•	•	•															
0660	CLIP D:10	65104260		•	•	•	•															
0661	CLIP	65104332		•	•	•	•															
0664	CLIP	65104322		•	•	•	•															
0665	CLIP	65104331		•	•	•	•															
0666	CLIP	60000309		•	•	•	•															
0667	CLIP	65100680		•	•	•	•															
0668	CLIP	65104316		•	•	•	•															
0669	CLIP	65104339		•	•	•	•															
0680	GASKET 3/8»	573521		•	•	•	•															
0681	O-RING 9.19X2.62	65104313		•	•	•	•															
0682	O-RING 17.04X3.53	65104262		•	•	•	•															
0683	O-RING 23.47X2.62	65104315		•	•	•	•															
0685	O-RING 7.65X1.78	65104329		•	•	•	•															
0686	O-RING 15.54X2.62	65104325		•	•	•	•															
0687	O-RING 5.7X1.9	61009834-10		•	•	•	•															
0688	O-RING 21.89X2.62	65104320		•	•	•	•															
0689	O-RING 16,5X1,6	65105180		•	•	•	•															
0690	O-RING 8.9X2.7	61009834-14		•	•	•	•															
0691	O-RING 17.86X2.62	61308091		•	•	•	•															

800



900

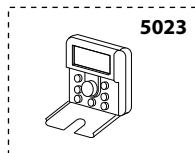
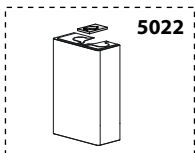
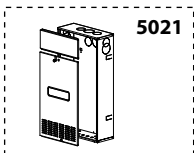


5000

**5001**  
 Transf. gaz > GPL  
 Conv. gas > GPL  
 Trasn. gas > GPL  
 Transf. gas > GPL

**5002**  
 Transf. gaz > Nat  
 Conv. gas > Nat  
 Trasn. gas > Met  
 Transf. gas > Met

**5020**  
 Options  
 Accessories  
 Opzioni  
 Accessorio



EGIS PREM. IN EVO 23  
 EGIS PREM. IN EVO 26 EU  
 EGIS PREM. EXT EVO 23 EU  
 EGIS PREM. EXT EVO 30 EU

31

Description	Manf. Pt. N	Type	1 2 3 4 5 6 7 8 9 10 11 12 13 14 15 16 17 18 From to																					
			1	2	3	4	5	6	7	8	9	10	11	12	13	14	15	16	17	18				
<b>0800 ELECTRICAL BOX</b>																								
0807 IGNITER	60001871		●	●	●																			
0814 CONTROL PANEL	65113397		●	●	●	●																		
0815 P.C.B. (MAIN)	60001898-03				●	●	●																	
	60001899-02				●																			
0816 PRINTED CIRCUIT BOARD (DISPLAY)	65113398		●	●	●	●																		
0824 COVER (ELECTRIC BOX)	65113399		●	●	●	●																		
0825 PRESSURE GAUGE	65104234		●	●	●	●																		
0834 P.C.B (CLIP-IN)	65113171		●	●	●	●																		
0837 SUPPORT (PRESSURE GAUGE)	65107076		●	●	●	●																		
0851 FRONT CONTROL PANEL COMPLETE	65113400		●	●	●	●																		
0856 CABLE CLAMP	65103377		●	●	●	●																		
0880 3-WAY VALVE CABLE	60001621		●	●	●	●																		
	65113176		●	●	●	●																		
	60000527		●	●	●	●																		
	60001883		●	●	●	●																		
	60002323		●	●	●	●																		
	65107600		●	●	●	●																		
	65104286		●	●	●	●																		
	60001624		●	●	●	●																		
	60001619		●	●	●	●																		
	60001620		●	●	●	●																		
	60001894		●	●	●	●																		
	60001623		●	●	●	●																		
	65104520	WILO	●																					
	60001595	ENER +		●	●	●																		
0881 CONNECTOR 2P	65111933		●	●	●	●																		
	65111934-01		●	●	●	●																		
<b>0900 JIG PLATE &amp; PIPE FITTING</b>																								
0904 GAS VALVE ASSY 3/4	65100257		●	●	●	●																		
0905 VALVE (1/2 )	65100256		●	●	●	●																		
0906 VALVE (3/4 )	65100255		●	●	●	●																		
0910 WALL HOOK	65113402		●	●	●	●																		
0917 GASKET 3/4»	573520		●	●	●	●																		
0939 GASKET 1/2»	573528		●	●	●	●																		
<b>5000 ACCESSORIES</b>																								
5020 ANTI-FREEZE HEATING	60002327		●	●	●	●																		
	65112139		●	●	●	●																		
	65112138		●	●	●	●																		
	65114476		●	●	●	●																		
5021 CLOSING ELEMENT	65107082		●	●	●	●																		
	65107083		●	●	●	●																		
	65107081-01		●	●	●	●																		
	65107080-01		●	●	●	●																		
	65111920-01		●	●	●	●																		
5022 CASE	65107256					●	●																	
	65107258					●	●																	
5023 EXTERNAL SENSOR WIRED GAL EVO	65112215		●	●	●	●																		
	65112042		●	●	●	●																		
	65112083-03		●	●	●	●																		
	65112824		●	●	●	●																		

EGIS PREMIUM EVO IN - EXT  
 Gas-wall condensing boilers

## LIST OF THE ABBREVIATIONS

HW .....	: Hot water.
CW .....	: Cold water.
C .....	: Ceramic resistance (normal heating).
Ca .....	: Ceramic resistance (accelerated heating)
TP .....	: Immersion heater.
1F .....	: With fittings.
2F .....	: Without fittings.
3F .....	: With fittings and another outlet connection.
AMI .....	: With mixing valve.
SMI .....	: Without mixing valve.
PUISS .....	: Power of th appliance.
PN .....	: Appliance with normal pression.
LP .....	: Appliance with low pression.
PV .....	: Appliance with variable power.
PF .....	: Appliance with fixed power.

## IDENTIFICATION PLATE

### SERIAL NUMBER

<b>10 Characters :</b>	04 05 125 011		
		Sequential number	
		Manufacturing day	
		Year of manufacture	
<b>11 Characters :</b>	1 95 065004 - 31		
Month of manufacture :		Technical number of the appliance	
from 1 to 9 → Jan. to Sep.,		Sequential number	
O → Oct., N → Nov.,		Year of manufacture	
D → Dec.			
<b>19 Characters :</b>	08 05 0013199 900640031		
Year of manufacture		Product reference	
Month of manufacture		Sequential number	
<b>20 Characters :</b>	3675007 XX 2 07 070 00315		
Product reference		Sequential number	
Millenium of manufacture		Manufacturing day	
		Year of manufacture	
<b>21 Characters :</b>	3675007 XX 07 070 0000315		
Product reference		Sequential number	
Year of manufacture		Manufacturing day	