



ARISTON

SPARE PARTS EXPLODED VIEW GAS-WALL CONDENSING BOILERS

Model

CLAS PREMIUM EVO

R8203444-02 - 19/04/2016

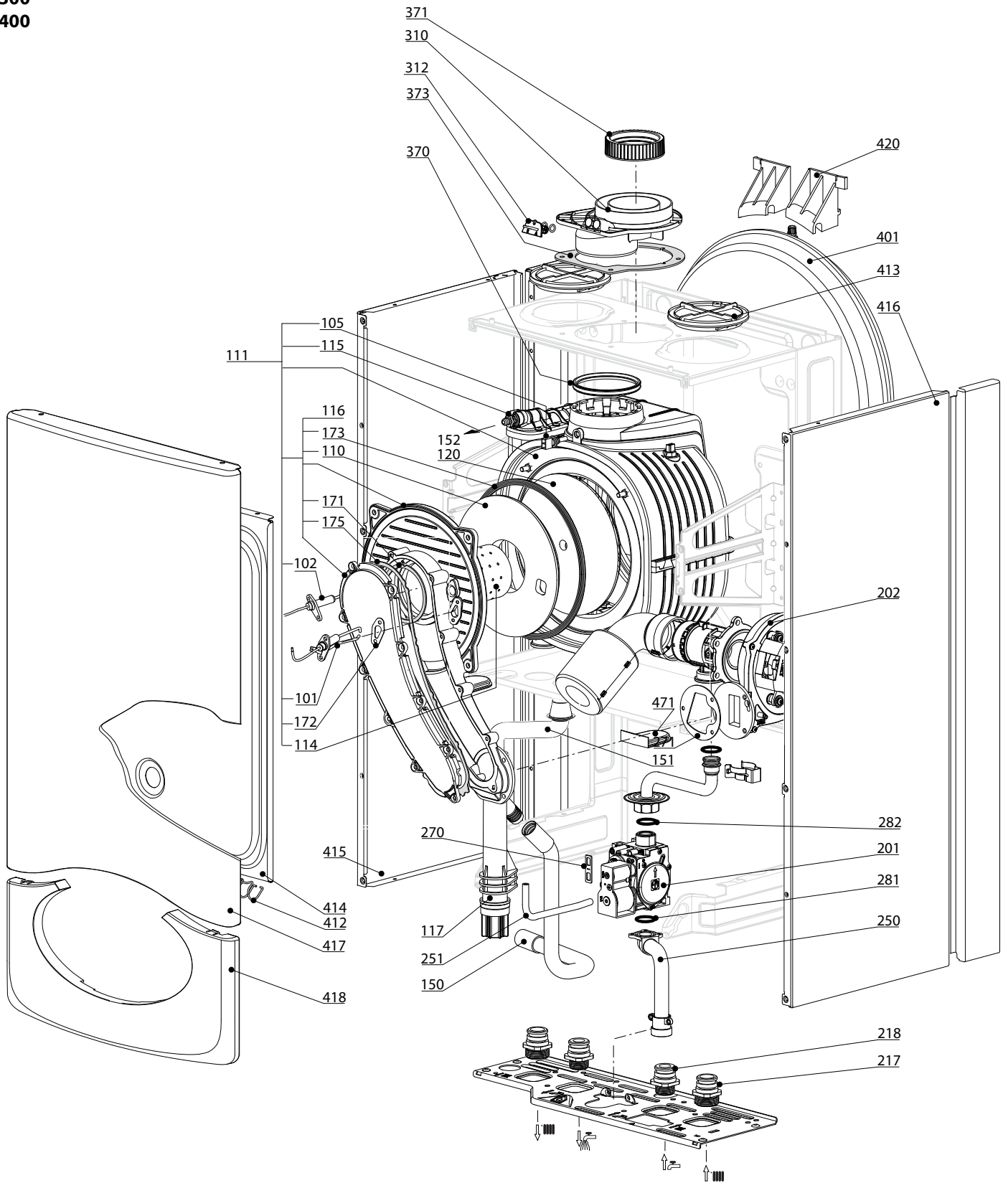
1	3300457	CLAS PREMIUM EVO 24	05-2012	-
2	3300458	CLAS PREMIUM EVO 30	05-2012	-
3	3300614	CLAS PREMIUM EVO L 30KW	04-2014	08-2015
4	3300504	CLAS PREMIUM EVO 35KW	05-2012	-
5	3300462	CLAS PREMIUM EVO SYSTEM 18	05-2012	08-2015
6	3300463	CLAS PREMIUM EVO SYSTEM 24	05-2012	-
7	3300546	CLAS PREMIUM EVO SYSTEM 35	05-2012	-
9	3300697	CLAS PREMIUM EVO 24 EU		
10	3300698	CLAS PREMIUM EVO 30 EU		
11	3300700	CLAS PREMIUM EVO L 30KW EU	01-2015	-
12	3300699	CLAS PREMIUM EVO 35KW EU		
13	3300701	CLAS PREMIUM EVO SYSTEM 18 EU		
14	3300702	CLAS PREMIUM EVO SYSTEM 24 EU		
15	3300703	CLAS PREMIUM EVO SYSTEM 35 EU		

Col	Reference	Model type	Begin	End
-----	-----------	------------	-------	-----

100
200
300
400

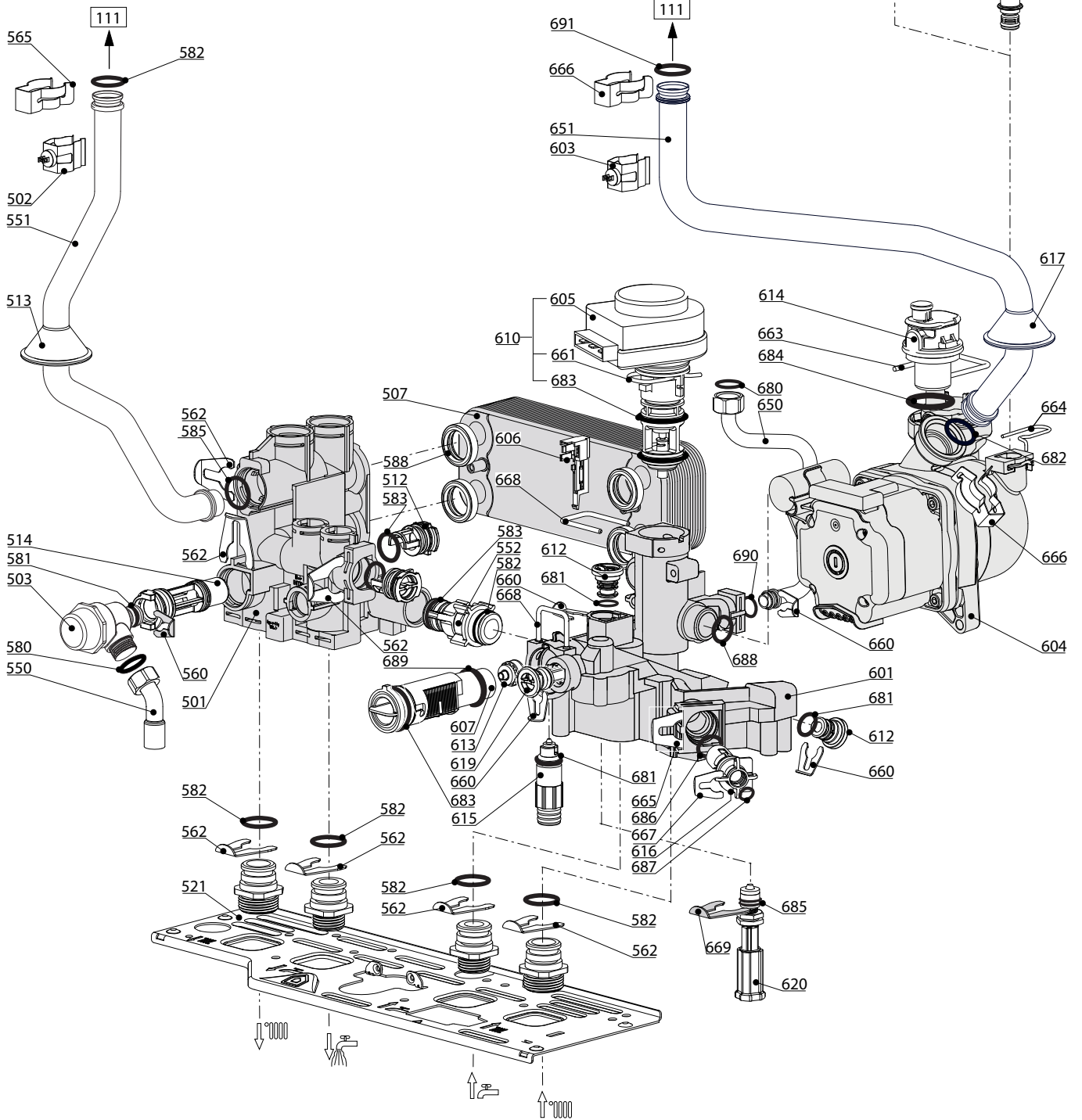
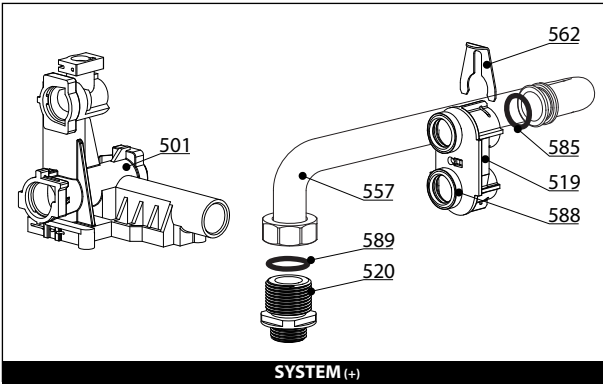
CLAS PREMIUM EVO

Gas-wall condensing boilers



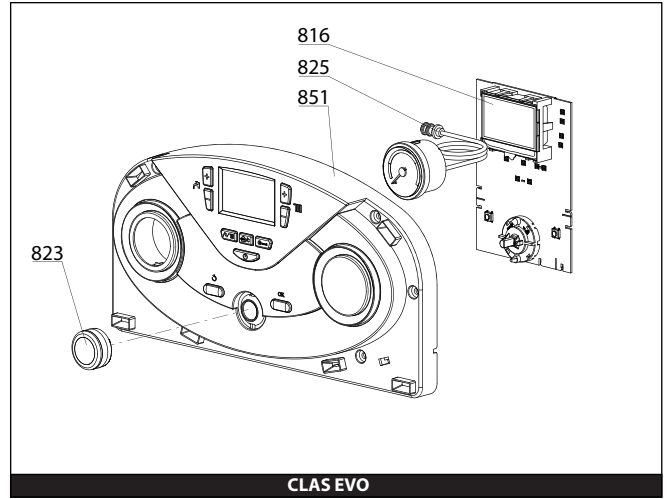
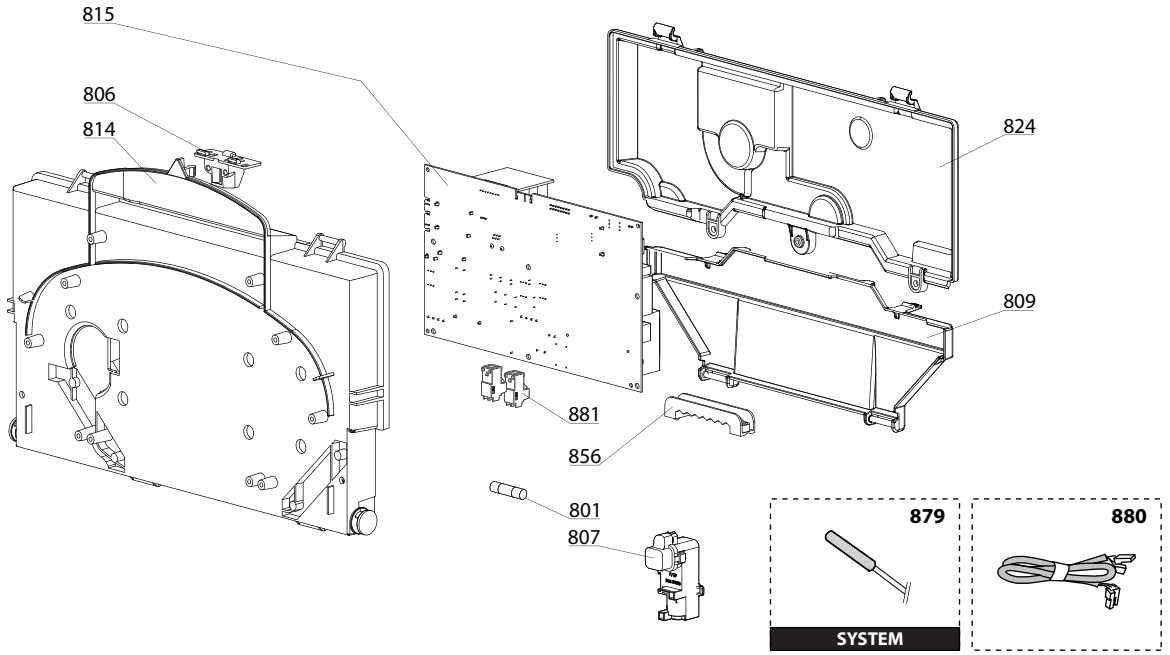
<p>Mixer AL* (2012 -> 2016)</p> <p>211 208 282 213 282</p>	<p>Mixer PA* (2016 -> ...)</p> <p>211 286 209 261 282</p>
<p>* Aluminum - Aluminium - Alluminio - Aluminio</p>	<p>* Polyamide black, noir - Poliammide nero - Poliamida negro</p>

☉	Description	Manf. Pt N	Type	<div style="display: flex; justify-content: space-between; font-size: small;"> CLAS PREMIUM EVO 24 CLAS PREMIUM EVO 30 CLAS PREMIUM EVO L 30 CLAS PREMIUM EVO 35 CLAS PREMIUM EVO SYS. 18 CLAS PREMIUM EVO SYS. 24 CLAS PREMIUM EVO SYS. 35 CLAS PREMIUM EVO 24 EU CLAS PREMIUM EVO 30 EU CLAS PREMIUM EVO 35 EU CLAS PREMIUM EVO SYS. 18 EU CLAS PREMIUM EVO SYS. 24 EU CLAS PREMIUM EVO SYS. 35 EU </div>																		From	to
				1	2	3	4	5	6	7	8	9	10	11	12	13	14	15	16	17	18		
0100 BURNER ASSEMBLY																							
0101	IGNITION ELECTRODE	60000868-01		•	•	•	•	•	•	•	•	•	•	•	•								
0102	IONIZATION ELECTRODE	60000867-01		•	•	•	•	•	•	•	•	•	•	•	•								
0110	INSULATION (FRONT PANEL)	60000297		•	•	•	•	•	•	•	•	•	•	•	•								
0111	HEAT EXCHANGER (18/24KW)	65111608		•				•	•					•	•								
	HEAT EXCHANGER (30KW)	65111606			•	•					•	•											
	HEAT EXCHANGER (35KW)	65111607					•																
0114	BURNER 18/24KW	60000288-01		•				•	•					•	•								
	BURNER 30KW	60001912			•	•						•	•										
	BURNER 35KW	60001913					•							•									
0115	AIR SEPARATOR	60000994		•	•	•	•	•	•	•	•	•	•	•	•								
0116	DOOR ASSY	65111604		•	•	•	•	•	•	•	•	•	•	•	•								
0117	TRAP	60000987		•	•	•	•	•	•	•	•	•	•	•	•								
0120	PANEL (INSULATION - REAR)	65114477		•	•	•	•	•	•	•	•	•	•	•	•								
0150	TUBE PVC D:19 L:500	60000976		•	•	•	•	•	•	•	•	•	•	•	•								
0151	FLEXIBLE PIPE	60000532		•	•	•	•	•	•	•	•	•	•	•	•								
0152	SILICONE TUBE D: 8x1 L: 0.15M	60001013		•	•	•	•	•	•	•	•	•	•	•	•								
0171	GASKET D:80.6-1.8	60001610		•	•	•	•	•	•	•	•	•	•	•	•								
0172	GASKET (IGNITION ELECTRODE)	60000286-01		•	•	•	•	•	•	•	•	•	•	•	•								
0173	DOOR GASKET	60000623		•	•	•	•	•	•	•	•	•	•	•	•								
0175	GASKET	60001609		•	•	•	•	•	•	•	•	•	•	•	•								
0200 GAS SECTION																							
0201	GAS VALVE	60001612		•	•	•	•	•	•	•	•	•	•	•	•								
0202	FAN ASSY	60001869		•	•	•	•	•	•	•	•	•	•	•	•								
0208	KIT GAS RESTRICTOR G20	60002783	G20 - AL	•	•	•	•	•	•	•	•	•	•	•	•								
	KIT GAS RESTRICTOR G31	60002782	G31 - AL	•	•	•	•	•	•	•	•	•	•	•	•								
0209	KIT GAS RESTRICTOR G20	60002784	G20 - PA	•	•	•	•	•	•	•	•	•	•	•	•								
	KIT GAS RESTRICTOR G31	60002780	G31 - PA	•	•	•	•	•	•	•	•	•	•	•	•								
0211	VENTURI G20 12-18 KW	60002775	G20					•						•									
	VENTURI G20 24 KW	60002762	G20	•				•						•									
	VENTURI G20 30 KW	60002763	G20		•	•					•	•											
	VENTURI G20 35-38 KW	60002764	G20				•					•				•							
0213	SILENCER	65111609		•	•	•	•	•	•	•	•	•	•	•	•								
0217	UNION (3/4»)	65104326		•	•	•	•	•	•	•	•	•	•	•	•								
0218	UNION (1/2»)	65104327		•	•	•	•	•	•	•	•	•	•	•	•								
0219	GROMMET	61010109		•	•	•	•	•	•	•	•	•	•	•	•								
0250	GAS TUBE	65104251		•	•	•	•	•	•	•	•	•	•	•	•								
0251	SILICONE PIPE	60001613		•	•	•	•	•	•	•	•	•	•	•	•								
0261	CLIP	60000309		•	•	•	•	•	•	•	•	•	•	•	•								
0270	GASKET (SPARK GENERATOR)	574279		•	•	•	•	•	•	•	•	•	•	•	•								
0271	GASKET	60001931		•	•	•	•	•	•	•	•	•	•	•	•								
0281	O-RING 22.22X2.62	65104304		•	•	•	•	•	•	•	•	•	•	•	•								
0282	SHEET GASKET D: 24-18.2-1.5	60022835-01		•	•	•	•	•	•	•	•	•	•	•	•								
0283	O-RING D: 17.86-2.62	60002766		•	•	•	•	•	•	•	•	•	•	•	•								
0286	GASKET	60001878		•	•	•	•	•	•	•	•	•	•	•	•								
0300 FAN ASSEMBLY																							
0310	FLUE (EXHAUST MANIFOLD/HEADER)	60000523		•	•	•	•	•	•	•	•	•	•	•	•								
0312	FLUE INTAKE PLUG	65104295		•	•	•	•	•	•	•	•	•	•	•	•								
0370	SEALING RING 80mm	60000315		•	•	•	•	•	•	•	•	•	•	•	•								
0371	GASKET	60000316		•	•	•	•	•	•	•	•	•	•	•	•								
0373	GASKET	60000317		•	•	•	•	•	•	•	•	•	•	•	•								
0400 SEALED CASE																							
0401	EXPANSION VESSEL 10L	65114173			•							•											
	EXPANSION VESSEL 8L	65104261		•	•		•				•	•		•	•								
0412	SPRING FRONT PANEL (KIT)	65104298		•	•	•	•	•	•	•	•	•	•	•	•								
0413	AIR RETURN COVER	65104249		•	•	•	•	•	•	•	•	•	•	•	•								
0414	PANEL (FRONT - SEALED CHAMBER)	65105678-02		•	•	•	•	•	•	•	•	•	•	•	•								
0415	SIDE PANELS LEFT + RIGHT	65111885		•				•	•					•	•								
	SIDE PANELS LEFT + RIGHT	65111900			•	•	•				•	•	•			•							
0417	CASE PANEL (FRONT)	60000620		•	•	•	•	•	•	•	•	•	•	•	•								
0418	FACIA	65111905		•	•	•	•	•	•	•	•	•	•	•	•								
0420	EXPANSION VESSEL SUPPORT	65104696		•	•		•				•	•		•	•								
	SUPPORT (EXPANSION VESSEL-UPPER)	65114176					•					•											
0470	CABLE INLET RUBBER WASHER	60000540		•	•	•	•	•	•	•	•	•	•	•	•								
0471	CABLE INLET RUBBER WASHER	60000541		•	•	•	•	•	•	•	•	•	•	•	•								

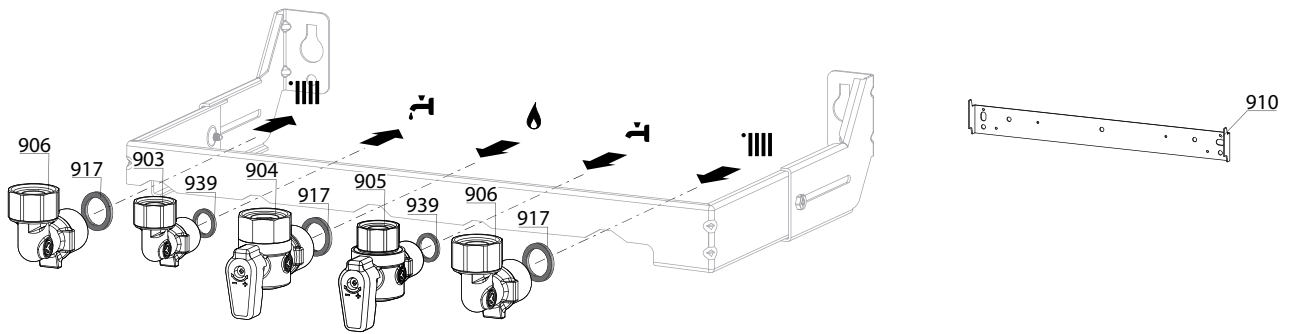


☰	Description	Manf. Pt N	Type	<div style="display: flex; justify-content: space-between; font-size: 8px; font-weight: bold;"> CLAS PREM. EVO 24 CLAS PREM. EVO 30 CLAS PREM. EVO L 30 CLAS PREM. EVO 35 CLAS PREM. EVO SYS. 18 CLAS PREM. EVO SYS. 24 CLAS PREM. EVO SYS. 35 CLAS PREM. EVO 24 EU CLAS PREM. EVO 30 EU CLAS PREM. EVO 35 EU CLAS PREM. EVO SYS. 18 EU CLAS PREM. EVO SYS. 24 EU CLAS PREM. EVO SYS. 35 EU </div>																		From	to
				1	2	3	4	5	6	7	8	9	10	11	12	13	14	15	16	17	18		
0500	FLOW GROUP																						
0501	FLOW GROUP	60001953		●	●	●	●				●	●	●	●									
	FLOW GROUP	65105091-01						●	●	●				●	●	●							
0502	TEMPERATURE PROBE + CLIP KIT	990686-01		●	●	●	●	●	●	●	●	●	●	●	●	●							
0503	PRESSURE RELIEF VALVE (3 BAR)	61312668		●	●	●	●	●	●	●	●	●	●	●	●	●							
0507	SANITARY HEAT EXCHANGER (16 P.)	65104333		●	●	●					●	●	●										
	SANITARY HEAT EXCHANGER (20 P.)	60001344				●						●											
0512	PLUG	65104445		●	●	●	●	●	●	●	●	●	●	●	●	●							
0514	BY-PASS	65104336		●	●	●	●	●	●	●	●	●	●	●	●	●							
	BY-PASS 0.45b	60002374				●						●											
0519	INTERFACE 'System +' Open	60001365	SYST+					●	●	●				●	●	●							
0520	UNION (3/4»-1/2»)	60001367						●	●	●				●	●	●							
0521	HYDRAULIC GROUP SUPPORT	65104311		●	●	●	●	●	●	●	●	●	●	●	●	●							
0550	PIPE (SAFETY VALVE)	65104447		●	●	●	●	●	●	●	●	●	●	●	●	●							
0551	PIPE (C.H. FLOW)	60000534		●	●	●		●	●	●	●	●	●	●	●	●							
	PIPE (C.H. FLOW)	60000590				●						●											
0552	BY-PASS PIPE	65104340		●	●	●	●	●	●	●	●	●	●	●	●	●							
0557	TUBO SYSTEM	60001366						●	●	●				●	●	●							
0560	CLIP D:10	65104260		●	●	●	●	●	●	●	●	●	●	●	●	●							
0562	CLIP D:18	65104259		●	●	●	●	●	●	●	●	●	●	●	●	●							
0580	SHEET GASKET D: 13.9-10.4-1.5	60061853-02		●	●	●	●	●	●	●	●	●	●	●	●	●							
0581	O-RING 17.96X2.62	65104337		●	●	●	●	●	●	●	●	●	●	●	●	●							
0583	O-RING 15.54X2.62	65104325		●	●	●	●	●	●	●	●	●	●	●	●	●							
0585	O-RING 17.04X3.53	65104262		●	●	●	●	●	●	●	●	●	●	●	●	●							
0588	EXCHANGER GASKET	65104334		●	●	●	●	●	●	●	●	●	●	●	●	●							
0589	SHEET GASKET D: 24-14-1.5	60061855-17						●	●	●				●	●	●							
0600	RETURN GROUP																						
0601	RETURN GROUP	65104335		●	●	●	●	●	●	●	●	●	●	●	●	●							
0602	LOW PRESSURE SWITCH	65105090		●	●	●	●	●	●	●	●	●	●	●	●	●							
	PRESSURE SWITCH (PROPORTIONAL)	65104321				●							●										
0603	TEMPERATURE PROBE + CLIP KIT	990686-01		●	●	●	●	●	●	●	●	●	●	●	●	●							
0604	PUMP 5M PWM ENER+	60001947	ENER +								●	●	●	●	●	●							
	PUMP 6M 2V WILO	60000591	WILO	●	●	●	●	●	●	●													
	PUMP YONOS	60002375	WILO			●						●											
0605	MOTOR (3-WAY VALVE)	61302483-01		●	●	●	●	●	●	●	●	●	●	●	●	●							
0606	SENSOR (REED)	65104323		●	●	●	●	●	●	●	●	●	●	●	●	●							
0607	FLOW METER	65104317		●	●	●	●	●	●	●	●	●	●	●	●	●							
0610	MOTOR + SPRING 3 WAY VALVE KIT	60001583-01		●	●	●	●	●	●	●	●	●	●	●	●	●							
0612	PLUG	65104377		●	●	●	●	●	●	●	●	●	●	●	●	●							
0613	RIDUCTORS (KIT)	65104318		●	●	●	●	●	●	●	●	●	●	●	●	●							
0614	AUTO AIR VENT ENER+	65112086	ENER +								●	●	●	●	●	●							
	AUTO AIR VENT WITH O-RING WILO	65104703	WILO	●	●	●	●	●	●	●				●									
0615	KIT DRAIN SCREW	60001385		●	●	●	●	●	●	●	●	●	●	●	●	●							
0616	WATER FILTER	60001372		●	●	●	●	●	●	●	●	●	●	●	●	●							
0617	GROMMET	61010109		●	●	●	●	●	●	●	●	●	●	●	●	●							
0619	CHECK VALVE CARTRIDGE	65105323		●	●	●	●	●	●	●	●	●	●	●	●	●							
0620	FILLING TAP KIT	65114261		●	●	●	●	●	●	●	●	●	●	●	●	●							
0650	PIPE (10 LTS EXPANSION VESSEL-AR)	65114174				●							●										
	PIPE (EXPANSION VESSEL)	65104253		●	●	●	●	●	●	●	●	●	●	●	●	●							
0651	PIPE (C.H. RETURN)	65111903		●	●	●	●	●	●	●	●	●	●	●	●	●							
0660	CLIP D:10	65104260		●	●	●	●	●	●	●	●	●	●	●	●	●							
0661	CLIP	65104332		●	●	●	●	●	●	●	●	●	●	●	●	●							
0663	U-CLIP	65104704		●	●	●	●	●	●	●	●	●	●	●	●	●							
0664	CLIP	65104322		●	●	●	●	●	●	●	●	●	●	●	●	●							
0665	CLIP	65104331		●	●	●	●	●	●	●	●	●	●	●	●	●							
0666	CLIP	60000309		●	●	●	●	●	●	●	●	●	●	●	●	●							
0667	CLIP	65100680		●	●	●	●	●	●	●	●	●	●	●	●	●							
0668	CLIP	65104316		●	●	●	●	●	●	●	●	●	●	●	●	●							
0669	CLIP	65104339		●	●	●	●	●	●	●	●	●	●	●	●	●							
0680	GASKET 3/8»	573521		●	●	●	●	●	●	●	●	●	●	●	●	●							
0681	O-RING 9.19X2.62	65104313		●	●	●	●	●	●	●	●	●	●	●	●	●							
0682	O-RING 17.04X3.53	65104262		●	●	●	●	●	●	●	●	●	●	●	●	●							
0683	O-RING 23.47X2.62	65104315		●	●	●	●	●	●	●	●	●	●	●	●	●							
0684	O-RING 3X35 EPDM 75 SH	65104705		●	●	●	●	●	●	●	●	●	●	●	●	●							
0685	O-RING 7.65X1.78	65104329		●	●	●	●	●	●	●	●	●	●	●	●	●							
0686	O-RING 15.54X2.62	65104325		●	●	●	●	●	●	●	●	●	●	●	●	●							
0687	O-RING 5.7X1.9	61009834-10		●	●	●	●	●	●	●	●	●	●	●	●	●							
0688	O-RING 21.89X2.62	65104320		●	●	●	●	●	●	●	●	●	●	●	●	●							
0689	O-RING 17.17X1.78	65104303		●	●	●	●	●	●	●	●	●	●	●	●	●							
0690	O-RING 8.9X2.7	61009834-14		●	●	●	●	●	●	●	●	●	●	●	●	●							
0691	O-RING 17.86X2.62	61308091		●	●	●	●	●	●	●	●	●	●	●	●	●							

800



900



5000

5001
 Transf. gaz
 Conv. gas
 Trsf. gas
 Transf. gas
> G31
 (LPG - GPL)

5002
 Transf. gaz
 Conv. gas
 Trsf. gas
 Transf. gas
> G20
 (NAT - MET)

5020
 Options
 Accessories
 Opzioni
 Accessorio

☉⇒	Description	Manf. Pt. N	Type	<div style="display: flex; justify-content: space-between; font-size: 8px; transform: rotate(-45deg);"> CLAS PREM. EVO 24 CLAS PREM. EVO 30 CLAS PREM. EVO L 30 CLAS PREM. EVO 35 CLAS PREM. EVO SYS. 18 CLAS PREM. EVO SYS. 24 CLAS PREM. EVO SYS. 35 CLAS PREM. EVO 24 EU CLAS PREM. EVO 30 EU CLAS PREM. EVO 35 EU CLAS PREM. EVO SYS. 18 EU CLAS PREM. EVO SYS. 24 EU CLAS PREM. EVO SYS. 35 EU </div>																		From	to
				1	2	3	4	5	6	7	8	9	10	11	12	13	14	15	16	17	18		
0800	ELECTRICAL BOX																						
0801	FUSE 250V 2A	61003456		•	•	•	•	•	•	•	•	•	•	•	•								
0806	PUSH	65104228		•	•	•	•	•	•	•	•	•	•	•	•								
0807	IGNITER	60001871		•	•	•	•	•	•	•	•	•	•	•	•								
0809	INSPECTION COVER	60001618		•	•	•	•	•	•	•	•	•	•	•	•								
0814	CONTROL PANEL	60001616-01		•	•	•	•	•	•	•	•	•	•	•	•								
0815	P.C.B. (MAIN)	60001898-03				•																	
	P.C.B. (MAIN)	60001899-02		•	•		•	•	•	•													
0816	P.C.B. (DISPLAY)	65111883-02		•	•	•	•	•	•	•	•	•	•	•	•								
0823	KNOB	65111928		•	•	•	•	•	•	•	•	•	•	•	•								
0824	CONTROL PANEL COVER (REAR)	60001617		•	•	•	•	•	•	•	•	•	•	•	•								
0825	PRESSURE GAUGE	65104234		•	•	•	•	•	•	•	•	•	•	•	•								
0851	FRONT CONTROL PANEL COMPLETE	65111892		•	•	•	•	•	•	•	•	•	•	•	•								
	FRONT CONTROL PANEL COMPLETE	65111893					•	•	•	•				•	•	•							
0856	CABLE CLAMP	65103377		•	•	•	•	•	•	•	•	•	•	•	•								
0879	BOILER THERMISTOR TEMP. SENSOR	60000454					•	•	•	•				•	•	•	•						
0880	3-WAY VALVE CABLE	60001621		•	•	•	•	•	•	•	•	•	•	•	•								
	CABLE (IGNITION ELECTRODE)	60000527		•	•	•	•	•	•	•	•	•	•	•	•								
	CABLE (IONIZATION ELECTRODE)	60001883		•	•	•	•	•	•	•	•	•	•	•	•								
	DISPLAY WIRING - 5 WIRES BLUES	60000746		•	•	•	•	•	•	•	•	•	•	•	•								
	EARTH WIRE	65104286		•	•		•	•	•	•		•	•	•	•								
	FAN CABLE	60001624		•	•	•	•	•	•	•	•	•	•	•	•								
	FEEDER 240V	60001619		•	•	•	•	•	•	•	•	•	•	•	•								
	FLOW METER - PRESSURE SENSOR CABLE	60001620		•	•	•	•	•	•	•	•	•	•	•	•								
	GAS VALVE CABLE	60001622		•	•	•	•	•	•	•	•	•	•	•	•								
	IGNITOR CABLE	60001894		•	•	•	•	•	•	•	•	•	•	•	•								
	NTC PROBE - NTC EXCHANGER	60001901		•	•	•	•	•	•	•	•	•	•	•	•								
	PUMP 2V CABLE 6M WILO	65109585	WILO	•	•		•	•	•	•													
	PUMP CABLE 1V ENER+	60001887	ENER +							•	•		•	•	•								
	PUMP CABLE YONOS	60002376	WILO			•					•												
0881	CONNECTOR 2P	65111933		•	•	•	•	•	•	•	•	•	•	•	•								
	CONNECTOR 3P (x5)	65111934-01		•	•	•	•	•	•	•	•	•	•	•	•								
0900	JIG PLATE & PIPE FITTING																						
0903	HOT WATER CONNECTION	60000891		•	•	•	•	•	•	•	•	•	•	•	•								
0904	GAS SERVICE TAP UNION	65105631		•	•	•	•	•	•	•	•	•	•	•	•								
0905	COLD WATER TAP	60000895		•	•	•	•	•	•	•	•	•	•	•	•								
0906	WATER FLOW & RETURN SERVI. TAP	60000885		•	•	•	•	•	•	•	•	•	•	•	•								
0910	WALL HOOK	60000625		•	•	•	•	•	•	•	•	•	•	•	•								
0917	SHEET GASKET D: 24-17-1.5	60061855-19		•	•	•	•	•	•	•	•	•	•	•	•								
0939	SHEET GASKET D: 16.5-11-1.5	60061854-14		•	•	•	•	•	•	•	•	•	•	•	•								
5000	ACCESSORIES																						
5001	BURNER JET FULL KIT G31 12-38 KW	60001946-01		•	•	•	•	•	•	•	•	•	•	•	•								
5002	BURNER JET FULL KIT G20 12-38 KW	60002785		•	•	•	•	•	•	•	•	•	•	•	•								
5020	SUBSTITUTION KIT GRAPHITE+SPRING	60001298		•	•	•	•	•	•	•	•	•	•	•	•								

LIST OF THE ABBREVIATIONS

HW	: Hot water.
CW	: Cold water.
C	: Ceramic resistance (normal heating).
Ca	: Ceramic resistance (accelerated heating)
TP	: Immersion heater.
1F	: With fittings.
2F	: Without fittings.
3F	: With fittings and another outlet connection.
AMI	: With mixing valve.
SMI	: Without mixing valve.
PUISS	: Power of th appliance.
PN	: Appliance with normal pression.
LP	: Appliance with low pression.
PV	: Appliance with variable power.
PF	: Appliance with fixed power.

IDENTIFICATION PLATE

SERIAL NUMBER

10 Characters :	04 05 125 011		
		Sequential number	
		Manufacturing day	
		Year of manufacture	
11 Characters :	1 95 065004 - 31		
Month of manufacture :		Technical number of the appliance	
from 1 to 9 → Jan. to Sep.,		Sequential number	
O → Oct., N → Nov.,		Year of manufacture	
D → Dec.			
19 Characters :	08 05 0013199 900640031		
Year of manufacture		Product reference	
Month of manufacture		Sequential number	
20 Characters :	3675007 XX 2 07 070 00315		
Product reference		Sequential number	
Millenium of manufacture		Manufacturing day	
		Year of manufacture	
21 Characters :	3675007 XX 07 070 0000315		
Product reference		Sequential number	
Year of manufacture		Manufacturing day	